



# Serial I/O Solutions

**IBM Serial I/O Multiport Boards** deliver the performance and speed you need — at a very affordable price. These intelligent serial I/O boards use less than 1% system load so your server won't slow down as you run more applications, attach more devices or service more users. Installation and set up take just a few minutes. Using the “autoinstall” feature on the supplied SuperSerial CD, your boards will automatically be detected, located and configured. This CD also includes drivers, manuals, extensive install/diagnostic help and utilities. Multiport Boards are available in 8 and 16-port configurations.

**IBM Serial I/O Expandable Subsystems** provide an easy, manageable and cost-effective way to attach up to 128 devices to one slot in your server.

For local or clustered connections, mix and match any combination of DB-25 or RJ-45 connectors.

If you want to connect a cluster of serial devices up to 3,500 feet from the server, use the Serial I/O Multiplexer Sets.

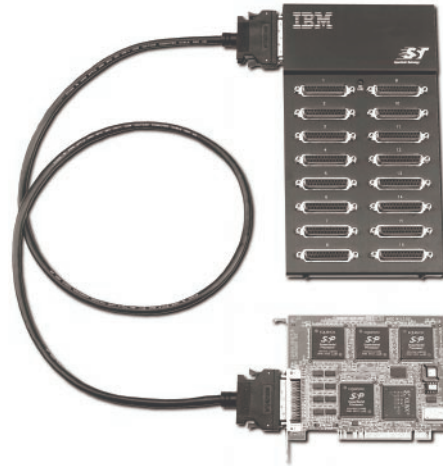
**OPTIONS**  
*by IBM*



# Serial I/O Multiport Boards

## Benefits and Features

- Connects from 8 or 16 ports to one slot in your server
- Supports speeds up to 920 Kbps per port, full duplex
- Offloads virtually all serial processing from the host CPU
- 15,000 volts multistrike surge protection on every pin of every port
- Includes full modem control on all ports (TXD, RXD, CTS, RTS, DSR, DCD, DTR, RI)
- Support for most popular operating systems
- Up to 4 cards per system
- Easy to install and configure with the “autoinstall” feature, no IRQ, I/O ports or memory holes to specify
- Includes comprehensive EquiView Plus NT Connections Manager software, as well as complete port management/diagnostic tools for Unix
- DB-25 or RJ-45 connectors available
- Three-year warranty



SST-16P DB board with 16 Port Connector Panel

The IBM PORT 8 or 16 SIO adapters with connection capability for all existing RS232 serial devices for remote access, point-of-sale, automation, etc. These adapters are an intelligent serial IO interface card for PCI based workstations and Netfinity Servers. These port cards offer 8 or 16 RS-232 serial connections with industry leading performance, durability, and management capabilities.

## Hardware Highlights

- On-board RISC CPU offloads almost all communication load
- Uses no IRQs, memory mapped architecture
- Up to 4 cards per system
- 15,000 volt surge suppression

### SST8P Adapter:

- 8-RS232 serial ports
- Support for all ports at 920Kbps simultaneously
- DB-25 RS232 standard “Octopus” Cable Interface

### SST16P Adapter:

- 16-RS232 serial ports
- Support for all ports at 230Kbps simultaneously
- 16-Port RS232 DB 25 or RJ45/RJ11 port module option



### Software Highlights

Support for any standard COM interface application

Comprehensive diagnostic utilities with SNMP management support for Windows NT

High speed Remote Access and local device connectivity

Operating system support for Windows NT, OS/2, Novell, and UnixWare 7.0.

### Major benefits and solutions

Remote Access (modem connectivity) applications can be implemented on Netfinity servers and commercial desktops using standard operating systems and communications packages such as Microsoft BackOffice, IBM Communications Server, Citrix WinFrame, or Windows Based Terminal Server.

Local serial connectivity (local serial device point-of-sale, industrial automation, etc.) applications can be implemented on Netfinity servers and commercial desktops using standard operating systems and any application using standard COM interfaces.

High performance interface maximizes Netfinity CPU power for application usage.

Adapter can be used with any modem or RS232 serial device allowing very high flexibility

### Bonus Software

**FREE** port management software included with all Serial I/O products!

EquiView Plus for NT  
SSDIAG for UNIX

### Drivers for Multiport Boards Included on CD-ROM

- |                             |                   |
|-----------------------------|-------------------|
| BSDI UNIX                   | SCO UnixWare      |
| Citrix MetaFrame            | Sun Solaris-Intel |
| Citrix WinFrame             | UNIX SVR3         |
| Citrix WinView <sup>+</sup> | UNIX SVR4         |
| Linux                       | Windows 95/98     |
| Novell AIO                  | Windows NT        |
| OS/2 <sup>+</sup>           |                   |
| SCO UNIX                    |                   |

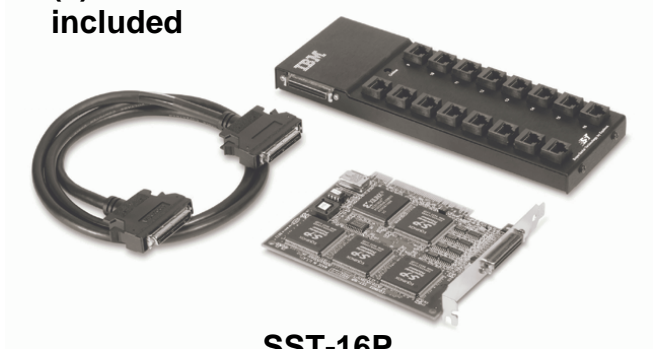
<sup>+</sup> Not supported for 16-port boards

### DB-25 cable



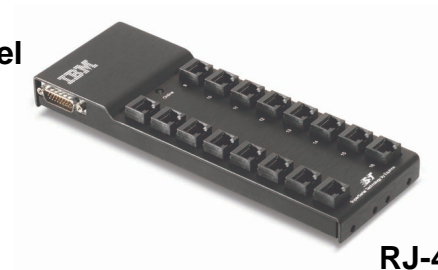
**SST-8P DB**

### (1) 4' cable included

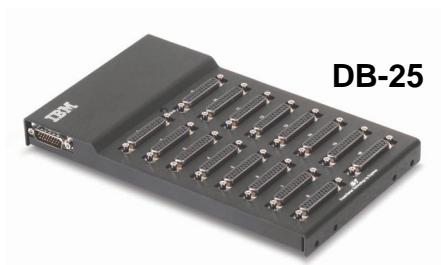


**SST-16P**

### Choose DB-25 (female DTE) OR RJ-45 converter panel



**RJ-45**



**DB-25**



# Serial I/O Expandable Subsystems

## Benefits & Features

Connects from 16 - 128 high-speed serial ports to a single host slot

Supports speeds up to 115 Kbps per port, full duplex

Offloads virtually all serial processing from the host CPU

15,000 volts multistrike surge protection on every pin of every port

RS-232 port modules support full modem control on all ports (TXD, RXD, CTS, RTS, DSR, DCD, DTR, RI)

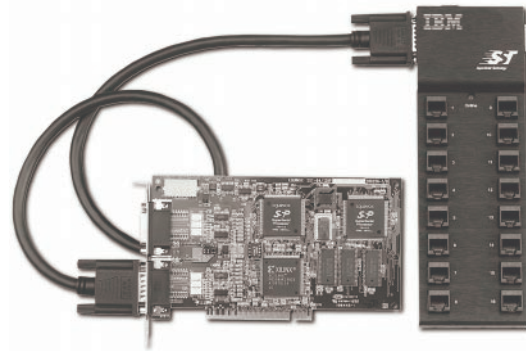
Support for most popular operating systems

Includes comprehensive EquiView Plus NT Connections Manager software, as well as complete port management/diagnostic tools for Unix

Provides high availability I/O solutions for NT, Novell and Unix clustering environments

DB-25 or RJ-45 connectors available

Three-year warranty



SST-128P board with a PM16-RJ port module

The IBM PCI SIO Expandable Adapter is 128 port capable adapter with connection capability for all existing RS232 serial devices for remote access, point-of-sale, automation, etc. The adapter is an intelligent Serial IO interface card for PCI based workstations and Netfinity Servers. The adapter incrementally expands 16 ports at a time using port modules or local area multiplexers. This adapter offers up to 128 RS-232 serial connections with industry leading performance, durability, and management capabilities.

## Hardware Highlights

128 port expandable PCI host adapter

16 port RS232 DB25 or RJ45/RJ11 port module options

16 port RS232 DB25 or RJ45/11 local area multiplexer options

Cable option to support concurrent operation from two servers

External power supply option

Support for all ports at 115 Kbps simultaneously

On-board RISC CPUs offload almost all communication load

Uses no IRQs, Memory mapped architecture

Up to 4 cards per system for 512 port total capability

15,000 volt surge suppression



### Software Highlights

Support for NT Enterprise, SCO Sentinel, or Vinca for NT clustering allows the same serial ports to load share or fail-over between two servers without physical intervention

Support for any standard COM interface application

Comprehensive diagnostic utilities with SNMP management support for Windows NT

High speed Remote Access and local device connectivity

Operating system support for Windows NT, OS/2, Novell, and UnixWare 7.0.

### Major benefits and solutions

Local multi-user serial connectivity (local serial device point-of-sale, industrial automation, etc.) applications can be implemented on Netfinity servers and commercial desktops using standard operating systems and any application using standard COM interfaces.

Remote Access (large modem rack connectivity) applications can be implemented on Netfinity servers and commercial desktops using standard operating systems and communications packages such as Microsoft BackOffice, IBM Communications Server, Citrix WinFrame, or Windows Based Terminal Server.

High performance interface maximizes Netfinity CPU power for application usage.

Adapter can be used with any modem or RS232 serial device allowing very high flexibility

### Bonus Software

**FREE** port management software included with all Serial I/O products!

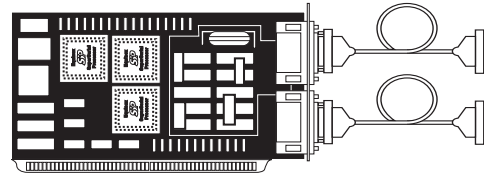
EquiView Plus for NT

SSDIAG for UNIX

### Drivers for Expandable Subsystems Included on CD-ROM

- |                  |                   |
|------------------|-------------------|
| BSDI UNIX        | SCO UnixWare      |
| Citrix MetaFrame | Sun Solaris-Intel |
| Citrix WinFrame  | UNIX SVR3         |
| Citrix WinView   | UNIX SVR4         |
| Linux            | Windows 95/98     |
| Novell AIO       | Windows NT        |
| OS/2             |                   |
| SCO UNIX         |                   |

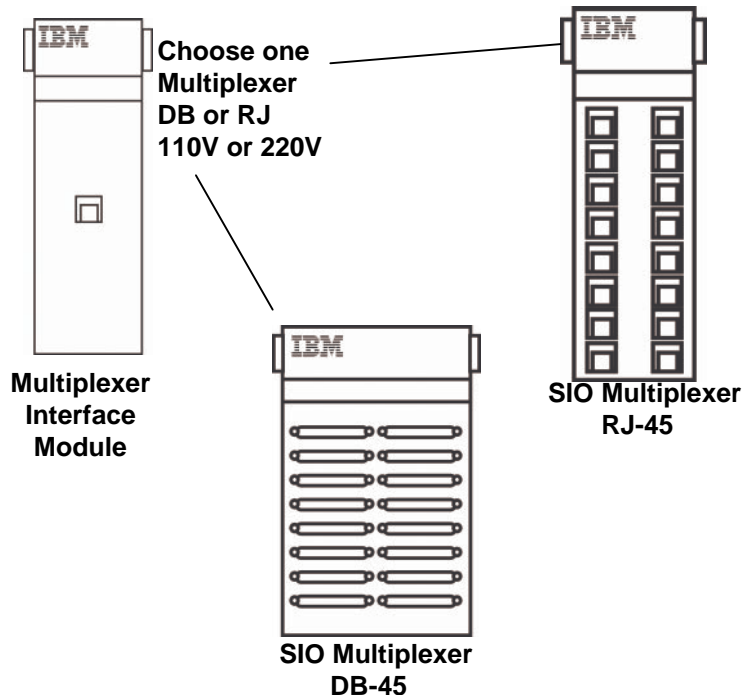
(2) 4' cables included to attach port modules



**SST-128P**

**Daisy-chain up to 4 Port Modules**

Any of the following Port Modules can be used together or in any combination up to 200 feet apart.

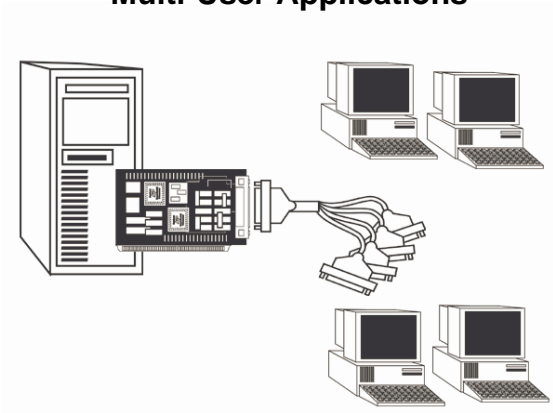


For extended distance, use a Serial I/O Multiplexer Set in place of a Port Module to connect a Multiplexer up to 3,500 feet away.



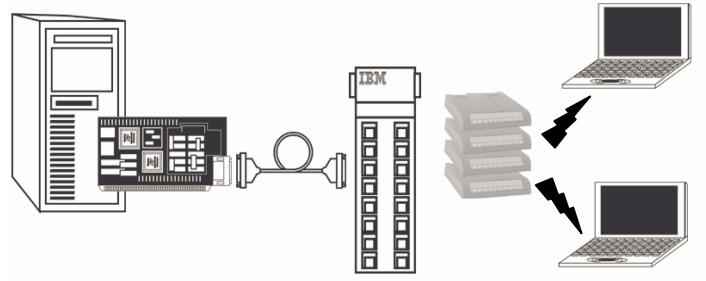
## Here are some examples of IBM Serial I/O Solutions

### Multi-User Applications



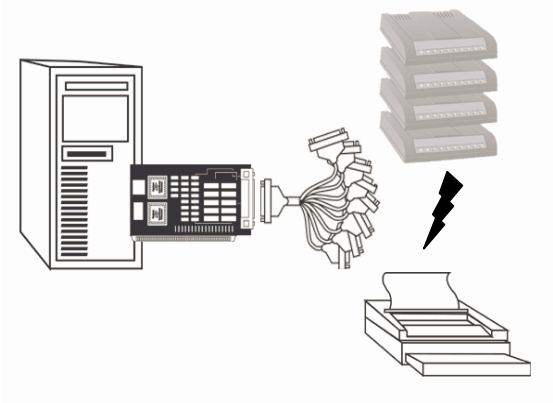
Connect from 8 to 128 ports to one slot in your server and support top speeds of 115 Kbps to 920 Kbps.

### Remote Access Applications



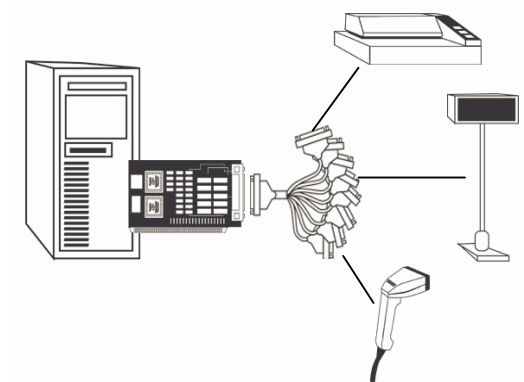
With full modem control, the Multiport Boards are optimized for server-based remote-access and dial-in/dial-out applications.

### Fax and Print Servers Applications



Connect multiple modems for fax server applications without the expense of proprietary fax modem boards.

### Point-Of-Sale (POS) Applications



Easily connect devices such as scanners, bar code readers, printers, and cash drawers to a computer.

**The flexibility and salability of SuperSerial Technology (SST) enable you to choose the products that fit your specific application.**



# EquiView Plus

## Managing Your NT Connections with EquiView Plus

### Benefits and Features

Included FREE with all IBM Serial I/O products

Solve troublesome serial I/O problems easily and quickly, without the need to physically connect test equipment to the system

Easy-to-use graphical interface for monitoring and managing devices attached to serial ports

Supports SNMP (Simple Network Management Protocol) for LAN and dial-in remote management

View all devices on your entire network - either locally or remotely

Reset modems, run loopback tests, send modem AT commands and more - in the office or miles away

Break-out box displays control signal status on all pins

EquiView Plus provides a graphical topology of all attached products. Simply point and click on the graphics to analyze activity on the serial hardware, attached cabling and individual ports and modems.

With SNMP (Simple Network Management Protocol) support built in, you can easily monitor Modem Pools, terminal servers and serial ports attached to host servers on an Ethernet LAN.

EquiView Plus provides integration with Windows NT Remote Access Service, allowing you to diagnose idle modems, hot-swap modems that have failed and also busy out a telephone line that is causing problems.

“EquiView Plus has reduced my costs of supporting serial I/O applications. It is easy to use and intuitive, so I can quickly troubleshoot problems with serial I/O and modems independent of their applications.”

— Typical User

# Options By IBM Serial IO Products

<b>Part Number</b>	<b>Product</b>	<b>Estimated Reseller Price</b>
37L1414	<b>Serial I/O SST8P DB Adapter</b> 8 Port PCI RS232 Adapter Kit with DB25 Fan Cable	399.00
37L1415	<b>Serial I/O SST16P RJ Adapter</b> 16 Port PCI RS232 Adapter Kit with RJ45 Connector Panel	789.00
37L1423	<b>Serial I/O SST16P DB Adapter</b> 16 Port PCI RS232 Adapter Kit with DB25 Connector Panel	789.00
37L1416	<b>Serial I/O SST128P Host Adapter</b> 128 Port PCI Host Adapter (Requires up to 8 Port Modules and/or Multiplexer Sets Below)	739.00
37L1417	<b>Serial I/O PM16RJ Port Module</b> 16 Port, RJ45, RS232 Expansion Module for 37L1416 Host Adapter (Requires one 37L1421 Power Supply for up to four Port Modules)	539.00
37L1418	<b>Serial I/O PM16DB Port Module</b> 16 Port, DB25, RS232 Expansion Module for 37L1416 Host Adapter (Requires one 37L1421 Power Supply for up to four Port Modules)	539.00
37L1421	<b>Serial I/O PS4 Power Supply</b> Power Supply for up to four 37L1418 and/or 37L1417 Port Modules	90.00
37L1419	<b>Serial I/O 16 RJ Multiplexer Set</b> 16 Port, RJ45, RS232 Multiplexer Expansion Set for 37L1416 Host Adapter (Extends to 1km over 2 UTP phone cable)	929.00
37L1420	<b>Serial I/O 16 DB Multiplexer Set</b> 16 Port, DB45, RS232 Multiplexer Expansion Set for 37L1416 Host Adapter (Extends to 1km over 2 UTP phone cable)	929.00
37L1424	<b>Serial I/O 16 RJ WT Multiplexer Set</b> International version 16 Port, RJ45, RS232 Multiplexer Expansion Set for 37L1416 Host Adapter (Extends to 1km over 2 UTP phone cable)	929.00
37L1425	<b>Serial I/O 16 DB WT Multiplexer Set</b> International version 16 Port, RJ45, RS232 Multiplexer Expansion Set for 37L1416 Host Adapter (Extends to 1km over 2 UTP phone cable)	929.00

**Pre-Sales Support 800-275-3500 x247**  
**Product Info [www.equinox.com/ibm](http://www.equinox.com/ibm)**



## Serial I/O Tech Specs

	Power Requirements			Dimensions (in inches)			Shipping Weight (in lbs.)	Control Signals	Surge Suppression
	+5V (mA)	+12V (mA)	-12V (mA)	Length	Height	Width			
<b><u>Multiport boards</u></b>									
SST-8P	600	130	165	5.65	4.2	0.72	2.81	Full	Yes
SST-16P	600	80	80	5.38	5	0.72	1.34	Full	Yes
<b><u>Connector Panel</u></b>									
CP-16 DB	340	260	300	9.62	0.88	5.5	1.78	Full	Yes
CP-16 RJ	340	260	300	9.62	0.88	3.38	1.06	Full	Yes
<b><u>Expandable Boards</u></b>									
SST-128P	1650			12.28	4.2	0.72	3.72	Full	Yes
<b><u>Port Modules</u></b>									
PM16-DB	1250			9.5	0.96	5.56	2.16	Full	Yes
PM16-RJ	1250			9.5	0.96	3.22	1.38	Full	Yes
MIM-1	630	Sold as part of package		9.5	0.96	3.22	1.28	Full	Yes
CMX16-DB	830			15.56	0.96	5.74	4.37	Full	Yes
CMX16-RJ	830			9.5	0.96	3.22	4.32	Full	Yes

## Need more information?

IBM Reseller and General Information  
 United States (800) 426-9735 ext. 4752  
 Canada (800) 465-7999

IBM Fax Information Service  
 United States (800) IBM-3395  
 Canada (800) IBM-3395

World Wide Web  
[www.ibm.com/pc/is/](http://www.ibm.com/pc/is/)  
 Business Intelligence  
[www.software.ibm.com/data/busn-intel](http://www.software.ibm.com/data/busn-intel)

Technical Support  
 United States (800) 426-7378  
 Canada (800) 426-7378

(c) International Business Machines Corporation

IBM Personal Systems Group  
 Department D7VA  
 3039 Cornwallis Road  
 Research Triangle Park, NC 27709

1-98

All rights reserved.

SST, SuperSerial Technology, EquiView Plus are trademarks of Equinox Systems, Inc.

Other company, product, and service names may be trademarks or service marks of others.

\* This scenario is a composite based upon typical customer requirements and not intended to represent a specific customer engagement. Individual customers will have different requirements. Contact your IBM representative to discuss your specific needs.