



ARTIC960Rx
PCI Adapter
Guide to Operations



ARTIC960Rx
PCI Adapter
Guide to Operations

Important

Before using this information and the product it supports, be sure to read all the information in Appendix A, "Notices" on page A-1.

Before installing or removing an adapter, be sure to study the Connect/Disconnect sequence diagram for cables in "Safety Information" on page A-2.

First Edition (June 1998)

Order publications through your IBM representative or the IBM branch office serving your locality. Publications are not stocked at the address given below.

A form for readers' comments appears at the back of this publication. If the form has been removed, address your comments to:

International Business Machines Corporation
Information Development, Department 27X
1798 N.W. 40th Street
Boca Raton, FL 33431
U.S.A.

When you send information to IBM, you grant IBM a nonexclusive right to use or distribute the information in any way it believes appropriate without incurring any obligation to you.

© Copyright International Business Machines Corporation 1998. All rights reserved.

Note to U.S. Government Users — Documentation related to restricted rights — Use, duplication or disclosure is subject to restrictions set forth in GSA ADP Schedule Contract with IBM Corp.

Statement of Limited Warranty

The warranties provided by IBM in this Statement of Limited Warranty apply only to Machines you originally purchase for your use, and not for resale, from IBM or your reseller. The term "Machine" means an IBM machine, its features, conversions, upgrades, elements, or accessories, or any combination of them. Machines are subject to these terms only if purchased in the United States or Puerto Rico, or Canada, and located in the country of purchase. If you have any questions, contact IBM or your reseller.

Machine: ARTIC960Rx PCI Adapter

Warranty Period*: This feature assumes the Warranty period of the IBM host in which it is installed. For all other conditions, the Warranty period is three years.

**Contact your place of purchase for warranty service information.*

Production Status

Each Machine is manufactured from new parts, or new and used parts. In some cases, the Machine may not be new and may have been previously installed. Regardless of the Machine's production status, IBM's warranty terms apply.

The IBM Warranty for Machines

IBM warrants that each Machine 1) is free from defects in materials and workmanship and 2) conforms to IBM's Official Published Specifications. The warranty period for a Machine is a specified, fixed period commencing on its Date of Installation. The date on your receipt is the Date of Installation, unless IBM or your reseller informs you otherwise.

During the warranty period IBM or your reseller, if authorized by IBM, will provide warranty service under the type of service designated for the Machine and will manage and install engineering changes that apply to the Machine.

For IBM or your reseller to provide warranty service for a feature, conversion, or upgrade, IBM or your reseller may require that the Machine on which it is installed be 1) for certain Machines, the designated, serial-numbered Machine and 2) at an engineering-change level compatible with the feature, conversion, or upgrade. Many of these transactions involve the removal of parts and their return to IBM. You represent that all removed parts are genuine and unaltered. A part that replaces a removed part will assume the warranty service status of the replaced part.

If a Machine does not function as warranted during the warranty period, IBM or your reseller will repair it or replace it with one that is at least functionally equivalent, without charge. The replacement may not be new, but will be in good working order. If IBM or your reseller is unable to repair or replace the Machine, you may return it to your place of purchase and your money will be refunded.

If you transfer a Machine to another user, warranty service is available to that user for the remainder of the warranty period. You should give your proof of purchase and this Statement to that user. However, for Machines that have a life-time warranty, this warranty is not transferable.

Warranty Service

To obtain warranty service for the Machine, you should contact your reseller or call IBM. In the United States, call IBM at **1-800-IBM-SERV (426-7378)**. In Canada, call IBM at **1-800-465-6666**. You may be required to present proof of purchase.

IBM or your reseller will provide certain types of repair and exchange service, either at your location or at IBM's or your reseller's service center, to restore a Machine to good working order.

When a type of service involves the exchange of a Machine or part, the item IBM or your reseller replaces becomes its property and the replacement becomes yours. You represent that all removed items are genuine and unaltered. The replacement may not be new, but will be in good working order and at least functionally equivalent to the item replaced. The replacement assumes the warranty service status of the replaced item. Before IBM or your reseller exchanges a Machine or part, you agree to remove all features, parts, options, alterations, and attachments not under warranty service. You also agree to ensure that the Machine is free of any legal obligations or restrictions that prevent its exchange.

You agree to:

1. Obtain authorization from the owner to have IBM or your reseller service a Machine that you do not own; and
2. Where applicable, before service is provided —
 - a. Follow the problem determination, problem analysis, and service request procedures that IBM or your reseller provide,
 - b. Secure all programs, data, and funds contained in a Machine, and
 - c. Inform IBM or your reseller of changes in a Machine's location.

IBM is responsible for loss of, or damage to, your Machine while it is 1) in IBM's possession or 2) in transit in those cases where IBM is responsible for the transportation charges.

Extent of Warranty

IBM does not warrant uninterrupted or error-free operation of a Machine.

The warranties may be voided by misuse, accident, modification, unsuitable physical or operating environment, improper maintenance by you, removal or alteration of Machine or parts identification labels, or failure caused by a product for which IBM is not responsible.

THESE WARRANTIES REPLACE ALL OTHER WARRANTIES OR CONDITIONS, EXPRESS OR IMPLIED, INCLUDING, BUT NOT LIMITED TO, THE IMPLIED WARRANTIES OR CONDITIONS OF MERCHANTABILITY AND FITNESS FOR A PARTICULAR PURPOSE.

THESE WARRANTIES GIVE YOU SPECIFIC LEGAL RIGHTS AND YOU MAY ALSO HAVE OTHER RIGHTS WHICH VARY FROM JURISDICTION TO JURISDICTION. SOME JURISDICTIONS DO NOT ALLOW THE EXCLUSION OR LIMITATION OF EXPRESS OR IMPLIED WARRANTIES, SO THE ABOVE EXCLUSION OR LIMITATION MAY NOT APPLY TO YOU. IN THAT EVENT SUCH WARRANTIES ARE LIMITED IN DURATION TO THE WARRANTY PERIOD. NO WARRANTIES APPLY AFTER THAT PERIOD.

Limitation of Liability

Circumstances may arise where, because of a default on IBM's part or other liability, you are entitled to recover damages from IBM. In each such instance, regardless of the basis on which you are entitled to claim damages from IBM (including fundamental breach, negligence, misrepresentation, or other contract or tort claim), IBM is liable only for:

1. Damages for bodily injury (including death) and damage to real property and tangible personal property; and
2. The amount of any other actual direct damages or loss, up to the greater of U.S. \$100,000 or the charges (if recurring, 12 months' charges apply) for the Machine that is the subject of the claim.

UNDER NO CIRCUMSTANCES IS IBM LIABLE FOR ANY OF THE FOLLOWING: 1) THIRD-PARTY CLAIMS AGAINST YOU FOR LOSSES OR DAMAGES (OTHER THAN THOSE UNDER THE FIRST ITEM LISTED ABOVE); 2) LOSS OF, OR DAMAGE TO, YOUR RECORDS OR DATA; OR 3) SPECIAL, INCIDENTAL, OR INDIRECT DAMAGES OR FOR ANY ECONOMIC CONSEQUENTIAL DAMAGES (INCLUDING LOST PROFITS OR SAVINGS), EVEN IF IBM OR YOUR RESELLER IS INFORMED OF THEIR POSSIBILITY. SOME JURISDICTIONS DO NOT ALLOW THE EXCLUSION OR LIMITATION OF INCIDENTAL OR CONSEQUENTIAL DAMAGES, SO THE ABOVE EXCLUSION OR LIMITATION MAY NOT APPLY TO YOU.

Contents

About This Book	ix
Who Should Read This Book	ix
Related Information	ix
Chapter 1. Product Description	1-1
ARTIC960Rx PCI Adapter with Voltage Regulator	1-2
ARTIC960Rx PCI Adapter without Voltage Regulator	1-2
IBM Part Numbers	1-2
Features and Function	1-3
Specifications	1-4
Operating System Support Programs and Publications	1-5
Chapter 2. Installation Requirements and Instructions	2-1
Hardware Requirements	2-1
Handling Static-Sensitive Devices	2-2
Component Locations	2-3
Installation	2-4
Step 1: Installing a PMC card	2-5
Step 2: Installing the Base Adapter	2-6
Step 3: Downloading the Diagnostics and Operating System Support Programs	2-8
Chapter 3. Removing a PMC Card from the Base Adapter	3-1
Chapter 4. Troubleshooting	4-1
Problem Determination Procedures	4-1
Appendix A. Notices	A-1
Trademarks and Service Marks	A-1
Safety Information	A-2
Required Electronic Emission and Connectivity Notices	A-3
Industry Canada Compliance Statement	A-3
European Union (EU) Electromagnetic Compatibility Directive	A-4
Germany	A-4
Japan	A-6
Index	X-1

About This Book

This book describes the IBM ARTIC960Rx PCI Adapter and provides step-by-step installation instructions. After you have finished reading this book, you should be able to:

- Install the adapter
- Attach or remove a PMC card
- Troubleshoot possible problems
- Download system support programs, publications, and utility programs that support the development of adapter applications

Terminology Note

Throughout this book, the ARTIC960Rx PCI Adapter is referred to as the *base adapter*.

Who Should Read This Book

This book is written for an experienced computer user or a person who sets up, uses, or programs the base adapter.

Related Information

- Operating and installation documentation provided with any base adapter you are using.
- Operating and installation documentation provided with your computer.
- Reference, service, and diagnostics documentation available for your computer.
- Other related publications can be obtained from the Web at:
<http://wwprodso1n.bocaratn.ibm.com/artic/pubs.html>

Chapter 1. Product Description

The ARTIC960Rx PCI Adapter is a short, 32-bit, PCI adapter that supports attaching a PCI mezzanine card (PMC card). With the PMC card, the adapter provides high-function control of I/O operations and serves to off-load input/output tasks from the system microprocessor.

There are two versions of the ARTIC960Rx PCI Adapter: one with a voltage regulator and one without a voltage regulator. The PCI connector on both versions is keyed for 3.3-volt and 5-volt operation (the microprocessor on the base adapter operates at 3.3 volts). And both use 3.3-volt signaling levels to the PMC connector.

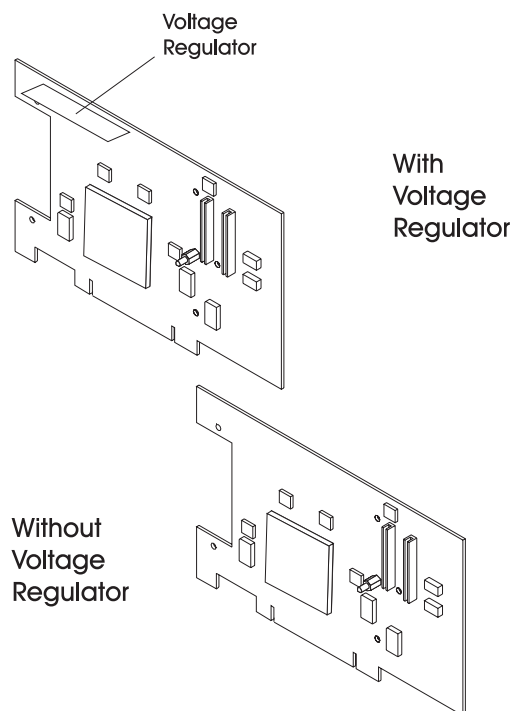


Figure 1-1. PCI Base Adapter

ARTIC960Rx PCI Adapter with Voltage Regulator

The ARTIC960Rx PCI Adapter with the voltage regulator has 4 MB of extended data-out (EDO) memory. This adapter can operate in a computer that does not provide 3.3 volts at the system bus. The voltage regulator converts the 5-volt input to the 3.3 volts required by the adapter and the PMC card attached to the adapter.

Note: You can install any single or single-extended PMC card that supports 3.3-volt signaling on this adapter; however, the voltage regulator might interfere with a PMC card that is not standard size.

ARTIC960Rx PCI Adapter without Voltage Regulator

The ARTIC960Rx PCI Adapter without the voltage regulator has 8 MB of EDO memory. This adapter can operate only in computers that supply 3.3 volts to the PCI connector.

You can install any single or single-extended PMC card that supports 3.3-volt signaling on this adapter.

IBM Part Numbers

The following table lists the part numbers for the field-replaceable units (FRUs) associated with the ARTIC960Rx PCI Adapter.

Description	Part Number
ARTIC960Rx PCI Adapter with voltage regulator—4 MB of memory	87H3545
ARTIC960Rx PCI Adapter without voltage regulator—8 MB of memory	87H3426
Adapter bracket kit	87H3562

Features and Function

The base adapter has the following standard features:

32-bit Intel 80960RP microprocessor

The Intel 80960RP microprocessor operates off the clock input from the system bus (supports up to 33 MHz). It includes two on-board memory subsystems:

- Extended-data-output (EDO) dynamic random-access memory (DRAM), and
- Read-only memory (ROM)

These memory subsystems are used by the adapter microprocessor only. Memory on the adapter cannot be accessed from the system bus.

4 MB or 8 MB EDO DRAM

The microprocessor on the base adapter uses this area for its instructions and data.

Sector-erasable ROM

The ROM subsystem uses sector-erasable, read-only flash memory. It contains the power-on self-test (POST) and bootstrap-loader code for the on-board microprocessor.

PMC Connector

The PMC connector provides a 32-bit PCI interface for attaching a single, or single-extended PCI mezzanine card (PMC card). A PMC card provides a high-function, application-specific interface that expands the capability of a base adapter, such as the ARTIC960Rx PCI Adapter. Attaching a PMC card provides support for high-speed communications, such as a T1 or broadband network. A PMC card has the protocol chips and electrical-interface drivers, receivers, terminators, and connectors that apply to that specific interface.

Specifications

The following describes the physical attributes, environmental conditions, and electrical requirements for the adapter.

Size

Length: 174.6 millimeters (6.9 inches)

Depth: 106.7 millimeters (4.2 inches)

Environment

- Air Temperature:

Operating: 1°C through 52°C (33.8°F through 125.6°F)

Non-Operating: -40°C through 60°C (-40.°F through 140°F)

- Humidity:

Operating: 5% through 95%.

Wet Bulb Temperature: 29°C (84.2°F)

Electrical

- Power Requirements

Voltage	With Regulator	Without Regulator
+3.3 V dc	0 A (maximum)	240 mA (maximum)
+5 V dc	600 mA (maximum)	570 mA (maximum)
+12 V dc	0 A (see note)	0 A (see note)
-12 V dc	0 A (see note)	0 A (see note)

Note: The ARTIC960Rx PCI Adapter does not use +12 or -12 volts; however, it does route these voltages to the PMC connector.

Operating System Support Programs and Publications

To help programmers develop products for the ARTIC960Rx PCI Adapter, a set of operating system packages containing the drivers and utilities to support a particular operating system is available on the World Wide Web (Web). To download from the Web, see "Step 3: Downloading the Diagnostics and Operating System Support Programs" on page 2-8.

Other related publications can be obtained from the Web at:

<http://wwprodso1n.bocaron.ibm.com/artic/pubs.html>

Obtaining Publications when Web Support Is Unavailable

If you do not have access to the Web, you can obtain these publications from the no-fee Developer's Assistance Program (DAP).

By telephone, call **1-800-426-3333** and ask for **ARTIC 160**.

By E-mail, send to **artic@us.ibm.com**.

Chapter 2. Installation Requirements and Instructions

Each ARTIC960Rx PCI Adapter package includes the following:

- The base adapter
- This book (with Warranty Statement)
- An adapter bracket kit containing a bracket and screws

Note: The ARTIC960Rx PCI Adapter is a Class A device.

The Federal Communications Commission (FCC) classification for this product might differ from the FCC classification for your system unit. Use the classification that is highest. For example, if the FCC classification for your system unit is Class B and a card that you install is Class A, the classification of your system unit would change to Class A. For more information, see "Required Electronic Emission and Connectivity Notices" on page A-3.

Hardware Requirements

The ARTIC960Rx PCI Adapter requires a 32-bit, PCI slot. It can be installed in any PCI-compliant computer. However, the ARTIC960Rx PCI Adapter without a voltage regulator must be installed in a computer that provides 3.3 volts at the PCI connector.

Attention: The ARTIC960Rx PCI Adapter is not supported in PCI slots using a spread-spectrum clock, such as the following IBM RISC System/6000®: E20, E30, F30, and F3L.

Handling Static-Sensitive Devices

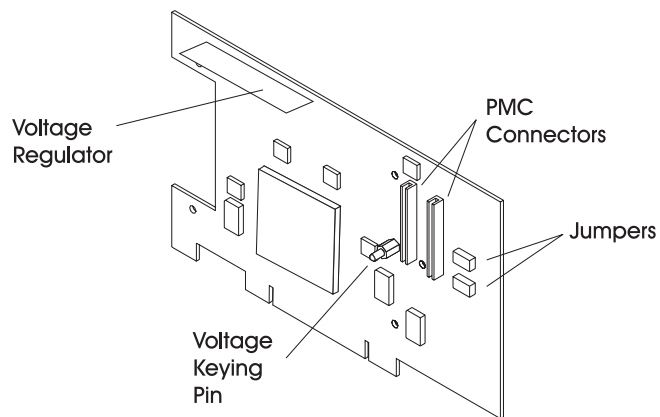
Components for your adapter can be damaged by static discharges. To prevent this damage, your base adapter is wrapped in an anti-static bag. Observe the following precautions when handling the base adapter.

- Keep the adapter in its anti-static bag until you are ready to install it.
- Make the least possible movement of your body to minimize the electrostatic charges created by contact with clothing fibers, carpet, and furniture.
- If possible, keep one hand on the computer chassis when you are inserting or removing the adapter. Always turn the computer off before removing an adapter from the system unit.
- *Do not touch the printed circuit.* Where possible, hold the adapter by its plastic end pieces or by its edges, but do *not* touch the metal edge connectors.
- Do not place the adapter on the machine cover or on a metal table. Machine covers and metal tables increase the risk of damage because they make a discharge path from your body through the adapter.

Component Locations

The following shows some component locations on the ARTIC960Rx PCI Adapter.

Note: The voltage regulator is not present on all ARTIC960Rx PCI Adapters.



Installation

The following instructions assume that you have the base adapter out of the system unit and are ready to install the PMC card. Use these steps, as appropriate for your computer, to install the base adapter and a PMC card.

Note: For some system installations, the base adapter and the PMC card are pre-assembled.

Before you begin

On the base adapter:

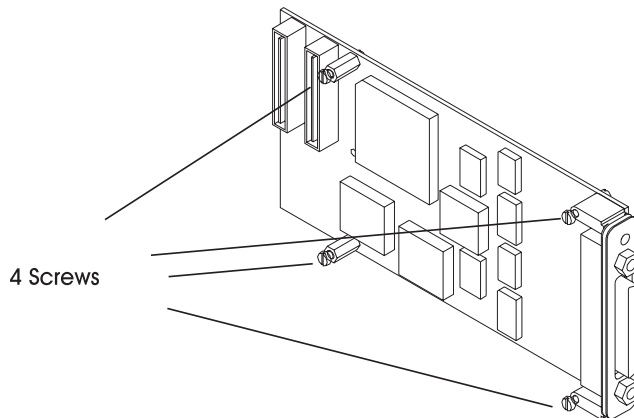
1. Verify that the jumpers are connected as follows:
 - Jumper P04 is connected across pins 2,3
 - Jumper P05 is connected across pins 1,2
2. Verify that the voltage keying pin is located next to the two PMC connectors. **Do not move the keying pin. It is intended to ensure the attachment of a 3.3-volt-compatible PMC card.**

See "Component Locations" on page 2-3 for jumper, voltage keying pin, and connector locations.

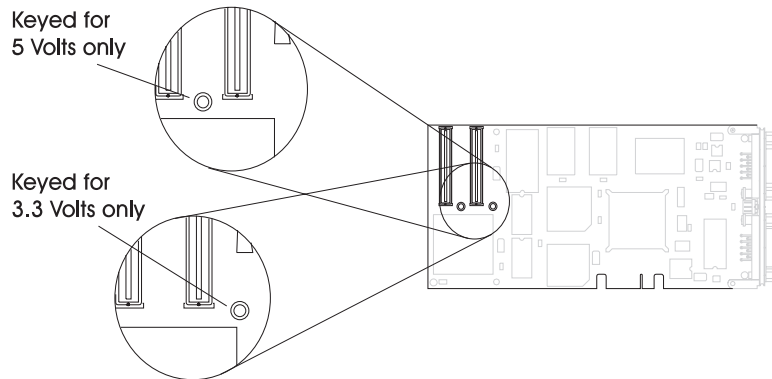
Step 1: Installing a PMC card

The following illustrations depict a typical PMC card. If your card differs from the illustrations, refer to the installation instructions that came with your PMC card.

1. If they are in place, remove the screws as shown. The screws may come in a separate hardware kit with some PMC cards.



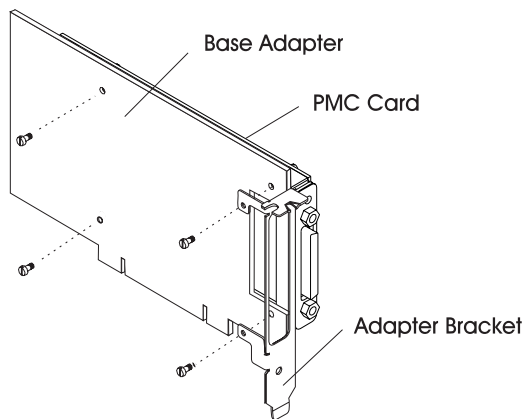
2. The PMC card must have a voltage key opening next to the two PMC connectors. This opening identifies the PMC card as a 3.3-volt-compatible card.



3. Align the connector on the PMC card with the PMC connector on the base adapter.

Attention: When the base adapter and the PMC card are properly aligned, the top of the voltage keying pin on the base adapter will fit into the voltage key opening on the PMC card.

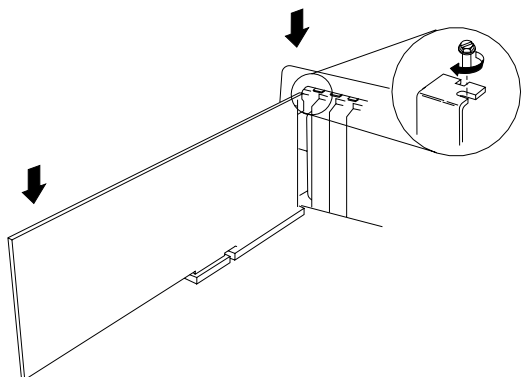
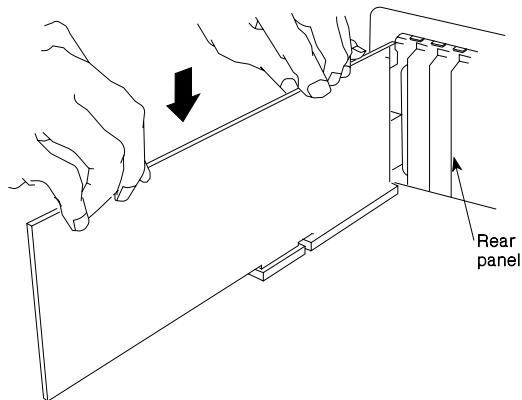
4. Firmly press the PMC card and the base adapter connectors together.
5. Attach the cards through the standoffs using two of the screws. If your PMC card has a rubber gasket around the connector on the back of the card, take care not to damage it. Attach the adapter bracket using the remaining two screws. If your PMC card differs from the illustration or uses different hardware, refer to the installation instructions that came with your card.



Step 2: Installing the Base Adapter

1. Turn the computer off.
2. Unplug the power cords from the electrical outlets.
3. Disconnect all cables from the rear of the system unit.
4. Remove the system unit cover.

5. Locate an available 32-bit PCI expansion slot in your system unit that supports the appropriate length of the base adapter.
6. Remove the expansion-slot screw, and then remove the expansion-slot cover.
7. Grasping the base adapter by the top edge, firmly press the base adapter into the connector at the rear panel of the system unit. Then, secure the adapter bracket to the slot using the screw provided.



8. Before tightening the expansion-slot screw, make sure adjacent expansion-slot screws do not interfere with the adapter bracket. Then tighten the expansion-slot screw to lock the base adapter in place.
9. If you have other adapters (or options) to install, do so now. Refer to the installation instructions provided with your computer for more information.
10. Reinstall the system unit cover and reconnect all cables to their appropriate connectors (refer to the documentation that came with your computer).
11. Plug all power cords into electrical outlets.

Step 3: Downloading the Diagnostics and Operating System Support Programs

IBM provides adapter support for some operating system environments. The adapter diagnostic program and the support programs for your specific operating system can be obtained through the World Wide Web or a Bulletin Board System (BBS).

Downloading from the Web

Do the following.

1. Using a Web browser of your choice, type:
`http://wwprodso1n.bocaraton.ibm.com/artic/file_rep.html`
2. Select the operating-system support you want.
3. Download the **Program** file.
4. Download the **Installation/file creation instructions** file, and follow the steps for installing and configuring the product support.

Downloading from the BBS

Do the following.

1. Check that your modem settings are as follows:

Data Bit	8
Parity Bit	N
Stop Bit	1

2. Dial the U.S.A. number **561-443-0134**.
3. Select the operating system support you want.
4. Select a **Transfer Protocol** supported by your communications software.
5. View on-line or download the **Readme/Instruction** file.
6. Follow the instructions in the Readme file for downloading and installing the program support that comes with the diagnostics.

Obtaining Operating System Software when Web/BBS Support Is Unavailable

For those who are unable to retrieve the files from either the Web or BBS, support is provided by telephone or E-mail.

For telephone assistance (U.S.A. ONLY), call:

1-800-426-3333 and ask for ARTIC 160.

For E-mail assistance, send to:

artic@us.ibm.com

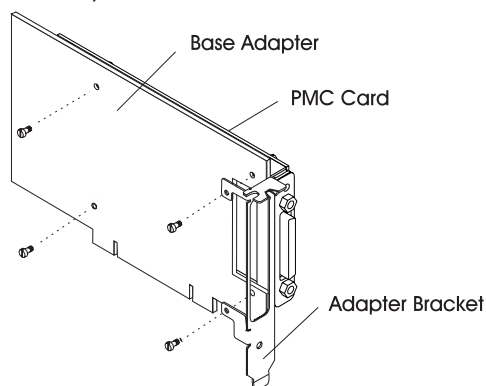
Chapter 3. Removing a PMC Card from the Base Adapter

To remove a PMC card from the base adapter:

1. Turn the computer off.
2. Unplug the power cords from the electrical outlets.
3. Disconnect all cables from the rear of the system unit.
4. Remove the system unit cover.
5. Locate the assembled base adapter containing the PMC card and record its slot number.
6. Remove the expansion-slot screw that locks the assembled base adapter in place.
7. Remove the assembled base adapter from the system unit by grasping the top edge of the card and the connector bracket, and pulling upward.

Note: Be sure to hold the assembled base adapter by the edges only; do not touch the component pins or solder joints.

8. Remove the screws on the assembled base adapter, and, if necessary, remove the adapter bracket. If the PMC card has a rubber gasket around the connector on the back of the card, take care not to damage it. (The two cards are still held together by the PMC connector.)



9. Carefully separate the connector on the PMC card from the connector on the base adapter using a gentle rocking motion.
10. Reinstall just the base adapter into the same slot recorded in Step 5 of this procedure.
11. Reinstall the system unit cover.
12. Reconnect all cables previously removed from the system unit.
13. Plug all power cords into electrical outlets.
14. Turn the computer on.
15. Run diagnostics if necessary.

To test the base adapter, refer to the operating system support programs you downloaded from the Web or BBS in “Step 3: Downloading the Diagnostics and Operating System Support Programs” on page 2-8. If no problems are found, have the system unit serviced.

Chapter 4. Troubleshooting

This chapter discusses how to troubleshoot possible problems with the base adapter.

Problem Determination Procedures

For system testing information, refer to the documentation that came with your computer.

If you performed the diagnostic tests because of a suspected communications problem and have successfully completed the tests without an error message, additional testing may be required on the following:

- Host computer or device with which you are trying to communicate (such as a printer)
- An attached communications device, such as a modem
- Communications cable

To test the base adapter, or a PMC card attached to the base adapter, refer to the operating system support programs you downloaded from the Web or BBS (see “Step 3: Downloading the Diagnostics and Operating System Support Programs” on page 2-8).

If you cannot isolate the problem, have the system unit serviced.

Appendix A. Notices

References in this publication to IBM products, programs, or services do not imply that IBM intends to make these available in all countries in which IBM operates. Any reference to an IBM licensed program or other IBM product in this publication is not intended to state or imply that only IBM's program or other product can be used. Any functionally equivalent product, program, or service that does not infringe on any of IBM's intellectual property rights or other legally protectible rights can be used instead of the IBM product, program, or service. Evaluation and verification of operation in conjunction with other products, programs, or services, except those expressly designated by IBM, are the user's responsibility.

IBM may have patents or pending patent applications covering subject matter in this document. The furnishing of this document does not give you any license to these patents. You can send license inquires, in writing, to:

IBM Director of Licensing
IBM Corporation
500 Columbus Avenue
Thornwood, NY 10594
U.S.A.

Trademarks and Service Marks

The following terms are trademarks of the IBM Corporation in the United States or other countries, or both:

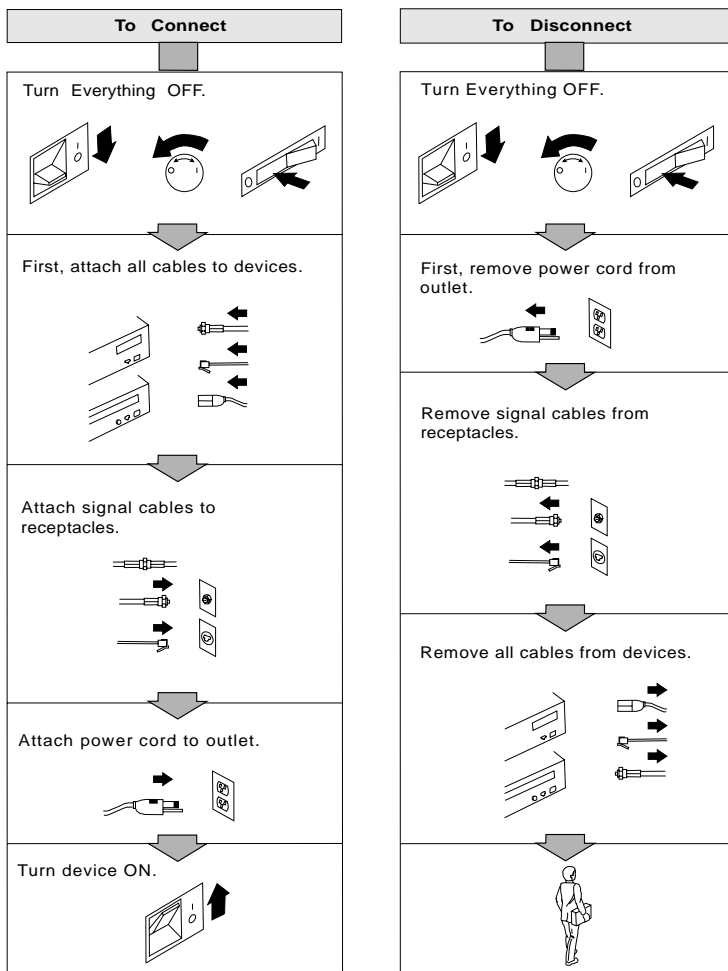
IBM RISC System/6000

Other company, product, and service names may be trademarks or service marks of others.

Safety Information



DANGER: Electrical current from power, telephone, and communications cables is hazardous. To avoid shock hazard, connect and disconnect cables as shown below when installing, moving, or opening the covers of this product or attached devices.



Note: In the UK, by law, the telephone cable must be connected after the power cord.

Note: In the UK, by law, the power cord must be disconnected after the telephone line cable.

Required Electronic Emission and Connectivity Notices

Federal Communications Commission (FCC) Statement

Note: This equipment has been tested and found to comply with the limits for a Class A digital device, pursuant to Part 15 of the FCC Rules. These limits are designed to provide reasonable protection against harmful interference when the equipment is operated in a commercial environment. This equipment generates, uses, and can radiate radio frequency energy and, if not installed and used in accordance with the instruction manual, may cause harmful interference to radio communications. Operation of this equipment in a residential area is likely to cause harmful interference, in which case the user will be required to correct the interference at his own expense.

Properly shielded and grounded cables and connectors must be used in order to meet FCC emission limits. IBM is not responsible for any radio or television interference caused by using other than recommended cables and connectors or by unauthorized changes or modifications to this equipment. Unauthorized changes or modifications could void the user's authority to operate the equipment.

This device complies with Part 15 of the FCC Rules. Operation is subject to the following two conditions: (1) this device may not cause harmful interference, and (2) this device must accept any interference received, including interference that may cause undesired operation.

Industry Canada Compliance Statement

This Class A digital apparatus meets the requirements of the Canadian Interference-Causing Equipment Regulations.

Cet appareil numérique de la classe A respecte toutes les exigences du Règlement sur le matériel brouilleur du Canada.

European Union (EU) Electromagnetic Compatibility Directive

This product is in conformity with the protection requirements of EU Council Directive 89/336/EEC on the approximation of the laws of the Member States relating to electromagnetic compatibility.

IBM cannot accept responsibility for any failure to satisfy the protection requirements resulting from a non-recommended modification of the product, including the fitting of non-IBM option cards.

This product has been tested and found to comply with the limits for Class A Information Technology Equipment according to CISPR 22 / European Standard EN 55022. The limits for Class A equipment were derived for commercial and industrial environments to provide reasonable protection against interference with licensed communication equipment.

Attention: This is a Class A product. In a domestic environment, this product may cause radio interference, in which case, the user may be required to take adequate measures.

Germany

Zulassungsbescheinigung laut Gesetz über die elektromagnetische Verträglichkeit von Geräten (EMVG) vom 30. August 1995

Dieses Gerät ist berechtigt, in Übereinstimmung mit dem deutschen EMVG das EG-Konformitätszeichen - CE - zu führen.

Der Aussteller der Konformitätserklärung ist die:

International Business Machines
ARTIC Hardware Development
1798 N.W. 40th Street
Boca Raton FL 33431
U.S.A.

Informationen in Hinsicht EMVG Paragraph 3, Abs. 2:

Das Gerät erfüllt die Schutzanforderungen nach EN 50082-1 und EN 55022 Klasse A.

EN 55022 Klasse A Geräte bedürfen folgender Hinweise:

Nach dem EMVG:

"Geräte dürfen an Orten, für die sie nicht ausreichend entstört sind, nur mit besonderer Genehmigung des Bundesministeriums für Post und Telekommunikation oder des Bundesamtes für Post und Telekommunikation betrieben werden. Die Genehmigung wird erteilt, wenn keine elektromagnetischen Störungen zu erwarten sind."
(Auszug aus dem EMVG, Paragraph 3, Abs. 4)

Dieses Genehmigungsverfahren ist nach Paragraph 9 EMVG in Verbindung mit der entsprechenden Kostenverordnung (Amtsblatt 14/93) kostenpflichtig.

Nach der EN 55022:

"Dies ist eine Einrichtung der Klasse A. Diese Einrichtung kann im Wohnbereich Funkstörungen verursachen; in diesem Fall kann vom Betreiber verlangt werden, angemessene Maßnahmen durchzuführen und dafür aufzukommen."

Anmerkung:

Um die Einhaltung des EMVG sicherzustellen, sind die Geräte wie in den Handbüchern angegeben zu installieren und zu betreiben.

Japan

Japanese Voluntary Control Council for Interference (VCCI) Statement

Attention: This product is a Class 1 Information Technology Equipment and conforms to the standards set by the Voluntary Control Council for Interference by Information Technology Equipment (VCCI). In a domestic environment this product may cause radio interference in which case the user may be required to take adequate measures.

Index

B

base adapter
 component locations 2-3
 description 1-1
 documentation 1-5
 EDO DRAM 1-3
 features and function 1-3
 hardware requirements 2-1
 IBM order (FRU) numbers 1-2
 installation 2-6
 jumper settings 2-4
 microprocessor 1-3
 PMC connector 1-3
 ROM 1-3
 specifications 1-4
bracket, adapter 2-6

C

component locations, base
 adapter 2-3

D

description, base adapter 1-1
Developer's Assistance Program
(DAP) 1-5
diagnostics
 downloading from the BBS 2-8
 downloading from the Web 2-8
 E-mail assistance 2-9
 system testing 4-1
 telephone assistance 2-9
documentation, base adapter 1-5
downloading diagnostics 2-8
downloading operating system
 support 2-8

E

E-mail assistance 1-5
EDO DRAM, base adapter 1-3
electronic emissions A-3

F

features and function, base
 adapter 1-3
FRU numbers
 adapter bracket kit 1-2
 base adapter 1-2

H

handling static-sensitive
 devices 2-2
hardware requirements, base
 adapter 2-1

I

illustration, base adapter 2-3
installation
 base adapter 2-6
 base adapter, before you
 begin 2-4
 PMC card 2-4, 2-5

J

jumper settings, base adapter 2-4

M

microprocessor, base adapter 1-3

N

notices A-1

O

operating system support 1-5, 2-8

P

part numbers 1-2

PMC card

installing 2-4, 2-5

removing 3-1

PMC connector, base adapter 1-3

problem determination

procedures 4-1

R

related information ix

removing a PMC card 3-1

ROM, base adapter 1-3

S

safety information A-2

specifications, base adapter 1-4

static-sensitive devices,

handling 2-2

T

telephone assistance 1-5

terminology ix

troubleshooting 4-1

V

versions of adapter 1-1

voltage key opening, illustration 2-5

voltage keying pin 2-4

voltage regulator 1-2

W

Web address 1-5, 2-8

without voltage regulator 1-2

Readers' Comments — We'd Like to Hear from You

ARTIC960Rx
PCI Adapter
Guide to Operations
Part Number 09J8815

Overall, how satisfied are you with the information in this book?

	Very Satisfied	Satisfied	Neutral	Dissatisfied	Very Dissatisfied
Overall satisfaction	<input type="checkbox"/>	<input type="checkbox"/>	<input type="checkbox"/>	<input type="checkbox"/>	<input type="checkbox"/>

How satisfied are you that the information in this book is:

	Very Satisfied	Satisfied	Neutral	Dissatisfied	Very Dissatisfied
Accurate	<input type="checkbox"/>	<input type="checkbox"/>	<input type="checkbox"/>	<input type="checkbox"/>	<input type="checkbox"/>
Complete	<input type="checkbox"/>	<input type="checkbox"/>	<input type="checkbox"/>	<input type="checkbox"/>	<input type="checkbox"/>
Easy to find	<input type="checkbox"/>	<input type="checkbox"/>	<input type="checkbox"/>	<input type="checkbox"/>	<input type="checkbox"/>
Easy to understand	<input type="checkbox"/>	<input type="checkbox"/>	<input type="checkbox"/>	<input type="checkbox"/>	<input type="checkbox"/>
Well organized	<input type="checkbox"/>	<input type="checkbox"/>	<input type="checkbox"/>	<input type="checkbox"/>	<input type="checkbox"/>
Applicable to your tasks	<input type="checkbox"/>	<input type="checkbox"/>	<input type="checkbox"/>	<input type="checkbox"/>	<input type="checkbox"/>

Please tell us how we can improve this book:

Thank you for your responses. May we contact you? Yes No

When you send comments to IBM, you grant IBM a nonexclusive right to use or distribute your comments in any way it believes appropriate without incurring any obligation to you.

Name Address

Company or Organization

Phone No.



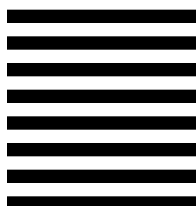
NO POSTAGE
NECESSARY
IF MAILED IN THE
UNITED STATES

BUSINESS REPLY MAIL

FIRST-CLASS MAIL PERMIT NO. 40 ARMONK, NEW YORK

POSTAGE WILL BE PAID BY ADDRESSEE

International Business Machines Corporation
WW Production Solutions Information Development
Department 27X, IMAD 2111
1798 N.W. SPANISH RIVER BOULEVARD
BOCA RATON FL 33431-9661



Fold and Tape

Please do not staple

Fold and Tape

Readers' Comments — We'd Like to Hear from You





Part Number: 09J8815



Printed in the United States of America
on recycled paper containing 10%
recovered post-consumer fiber.

09J8815

