



Personal Computer Floor Stand

User's Guide

OPTIONS
by IBM

First Edition (February 1997)

The following paragraph does not apply to the United Kingdom or any country where such provisions are inconsistent with local law: INTERNATIONAL BUSINESS MACHINES CORPORATION PROVIDES THIS PUBLICATION "AS IS" WITHOUT WARRANTY OF ANY KIND, EITHER EXPRESS OR IMPLIED, INCLUDING, BUT NOT LIMITED TO, THE IMPLIED WARRANTIES OF MERCHANTABILITY OR FITNESS FOR A PARTICULAR PURPOSE. Some states do not allow disclaimer of express or implied warranties in certain transactions, therefore, this statement may not apply to you.

This publication could include technical inaccuracies or typographical errors. Changes are periodically made to the information herein; these changes will be incorporated in new editions of the publication. IBM may make improvements and/or changes in the product(s) and/or the program(s) described in this publication at any time.

This publication was produced in the United States of America. IBM may not offer the products, services, or features discussed in this document in other countries, and the information is subject to change without notice. Consult your local IBM representative for information on the products, services, and features available in your area.

Requests for technical information about IBM products should be made to your IBM reseller or IBM marketing representative.

© Copyright International Business Machines Corporation 1997. All rights reserved.

Note to U.S. Government Users — Documentation related to restricted rights — Use, duplication or disclosure is subject to restrictions set forth in GSA ADP Schedule Contract with IBM Corp.

About This Book

This manual contains information on the Personal Computer Floor Stand. The manual includes the following information.

- Installation instructions in the following languages:
 - English
 - German
 - French
 - Spanish
 - Japanese
 - Italian
 - Brazilian Portuguese
- Product warranty and trademarks, see “Warranty and Notices” on page 29.

Note: The illustrations in this manual might be slightly different from your hardware.

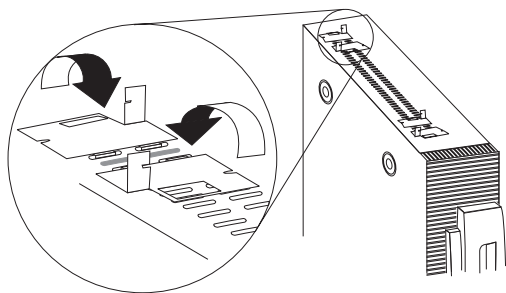
Personal Computer Floor Stand

The Personal Computer Floor Stand option includes:

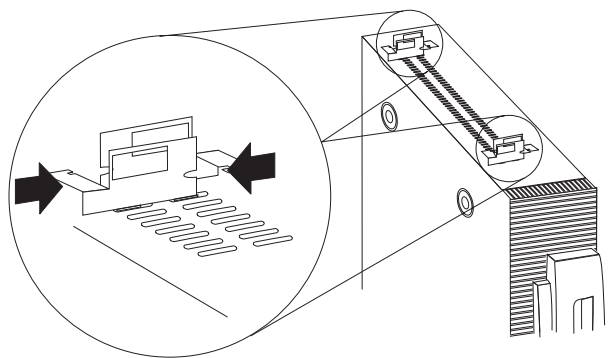
- Floor stand
- Four installation clips

Installing the Floor Stand

1. Turn off all attached devices. Turn off the computer. Unplug the power cords for the computer and all attached devices.
2. Turn the computer on its side with the computer vents facing up.
3. Place a pair of installation clips at each end of the row of vents. One clip attaches to the last vent; the other clip attaches to the third vent from the end as shown in the illustration. Rotate each set of clips into the vertical position.

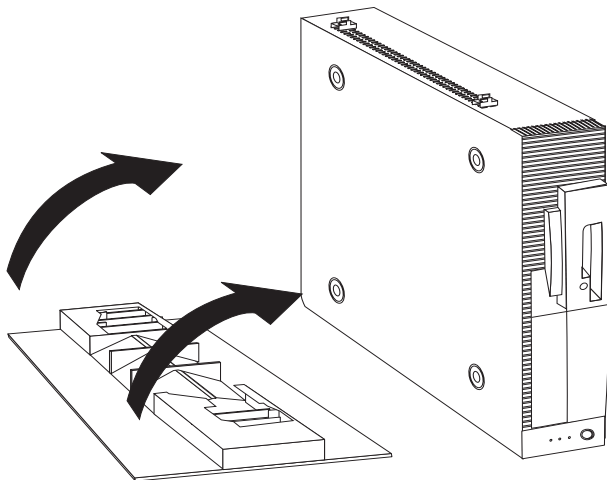


4. Push each set of installation clips together until the clips interlock. If you do not completely interlock the installation clips, the floor-stand tabs will not fit over the installation clips.

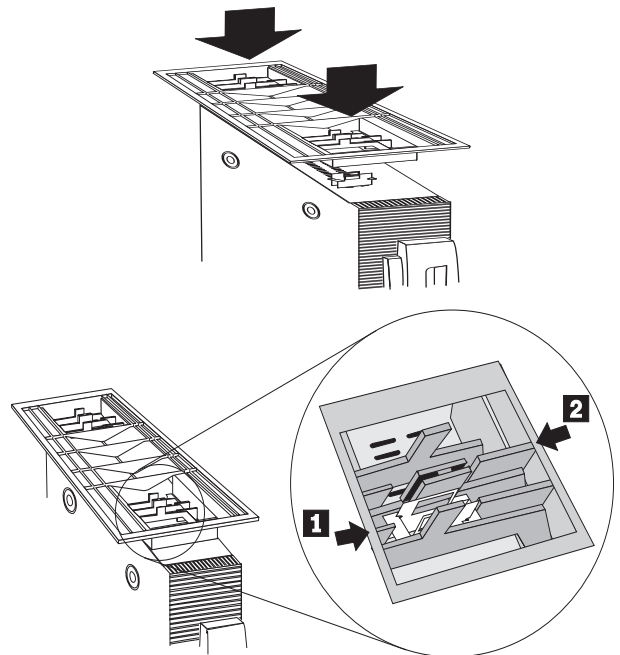


Attention: To allow for proper computer ventilation, the front of the floor stand must be aligned with the front of the computer.

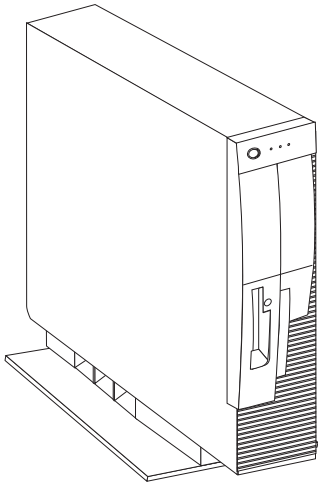
5. Align the front of the floor stand with the front of the computer and turn the floor stand upside down. The front of the floor stand is labeled on the bottom of the stand.



6. Center the clips with either position **1** or **2** on the underside of floor-stand as you push the floor stand onto the clips until they snap into place. Each set of installation clips fits inside a pair rails at each end of the floor-stand as shown in the illustration.



7. Position the computer for operation.

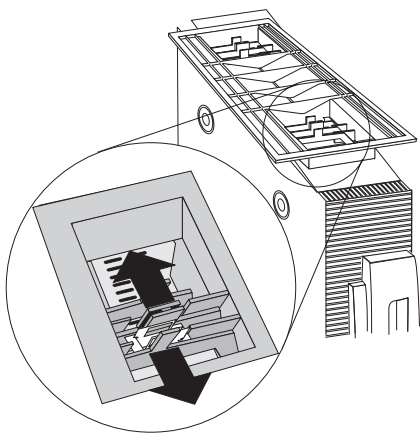


Removing the Floor Stand

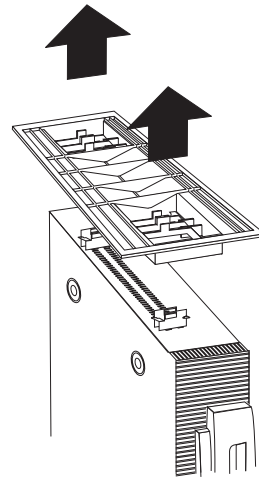
Remove the floor stand from the computer if you: remove the computer cover to install an option or move the computer to another location.

To remove the floor stand:

1. Turn off all attached devices. Turn off the computer. Unplug the power cords for the computer and all attached devices.
2. Turn the computer upside down.
3. Spread the floor-stand tabs out to release the stand from the installation clips.



4. Pull the floor stand straight up; then remove the installation clips.



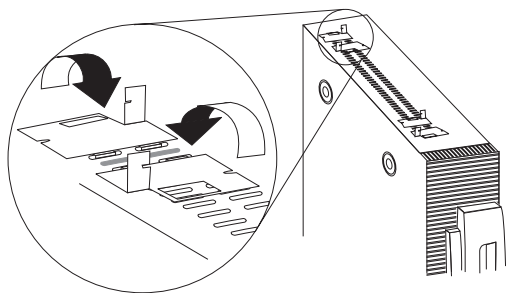
Personal Computer Floor Stand(Ger)

The Personal Computer Floor Stand option includes:

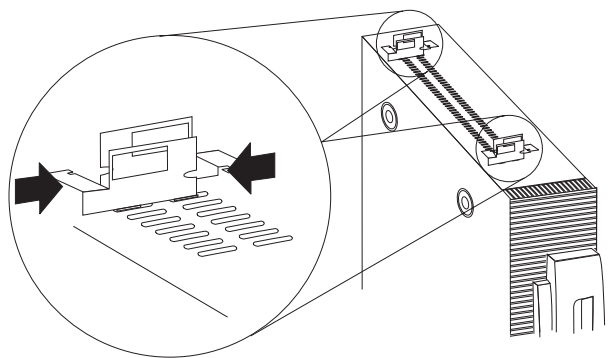
- Floor stand
- Four installation clips

Installing the Floor Stand

1. Turn off all attached devices. Turn off the computer. Unplug the power cords for the computer and all attached devices.
2. Turn the computer on its side with the computer vents facing up.
3. Place a pair of installation clips at each end of the row of vents. One clip attaches to the last vent; the other clip attaches to the third vent from the end as shown in the illustration. Rotate each set of clips into the vertical position.

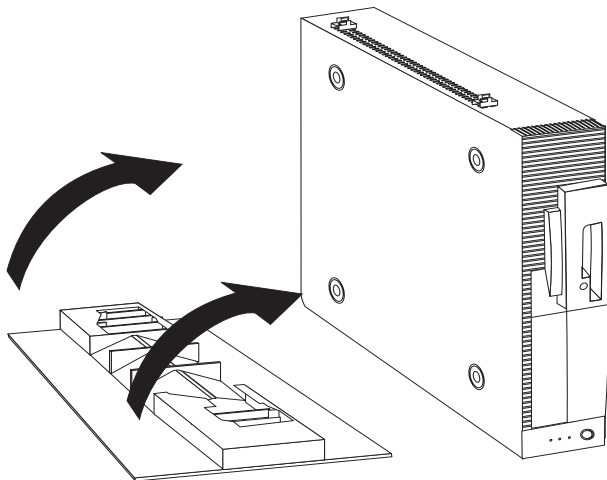


4. Push each set of installation clips together until the clips interlock. If you do not completely interlock the installation clips, the floor-stand tabs will not fit over the installation clips.

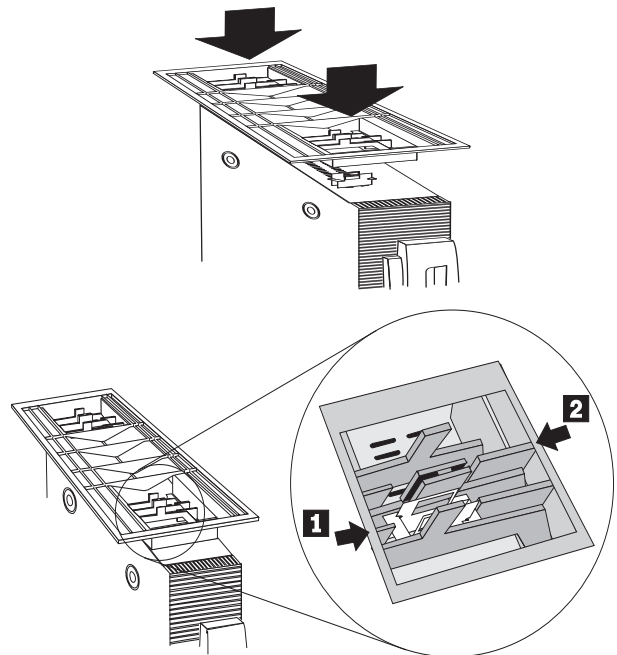


Attention: To allow for proper computer ventilation, the front of the floor stand must be aligned with the front of the computer.

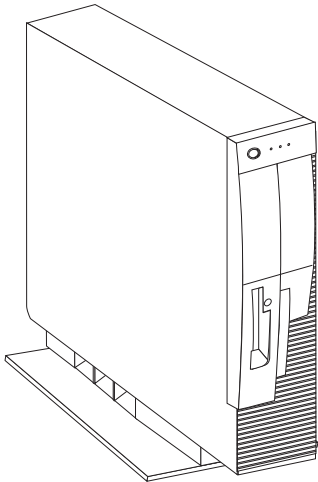
5. Align the front of the floor stand with the front of the computer and turn the floor stand upside down. The front of the floor stand is labeled on the bottom of the stand.



6. Center the clips with either position **1** or **2** on the underside of floor-stand as you push the floor stand onto the clips until they snap into place. Each set of installation clips fits inside a pair rails at each end of the floor-stand as shown in the illustration.



7. Position the computer for operation.

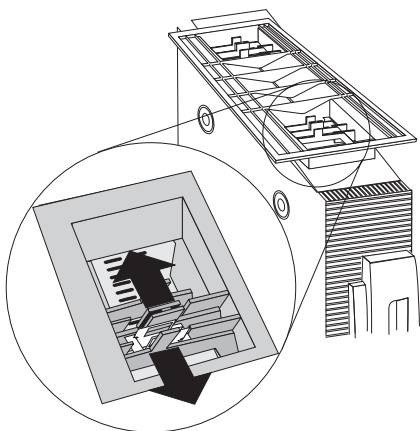


Removing the Floor Stand

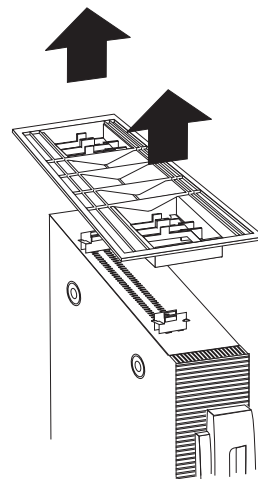
Remove the floor stand from the computer if you: remove the computer cover to install an option or move the computer to another location.

To remove the floor stand:

1. Turn off all attached devices. Turn off the computer. Unplug the power cords for the computer and all attached devices.
2. Turn the computer upside down.
3. Spread the floor-stand tabs out to release the stand from the installation clips.



4. Pull the floor stand straight up; then remove the installation clips.



Warranty Information

For warranty terms and conditions, see the enclosed insert, or contact your IBM reseller or IBM marketing representative.

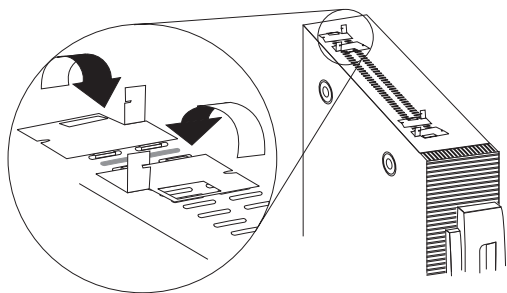
Personal Computer Floor Stand(Fr)

The Personal Computer Floor Stand option includes:

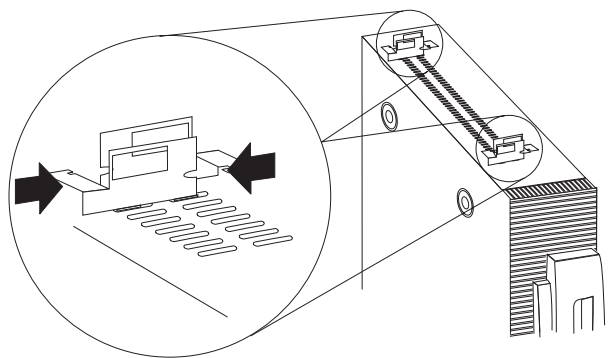
- Floor stand
- Four installation clips

Installing the Floor Stand

1. Turn off all attached devices. Turn off the computer. Unplug the power cords for the computer and all attached devices.
2. Turn the computer on its side with the computer vents facing up.
3. Place a pair of installation clips at each end of the row of vents. One clip attaches to the last vent; the other clip attaches to the third vent from the end as shown in the illustration. Rotate each set of clips into the vertical position.

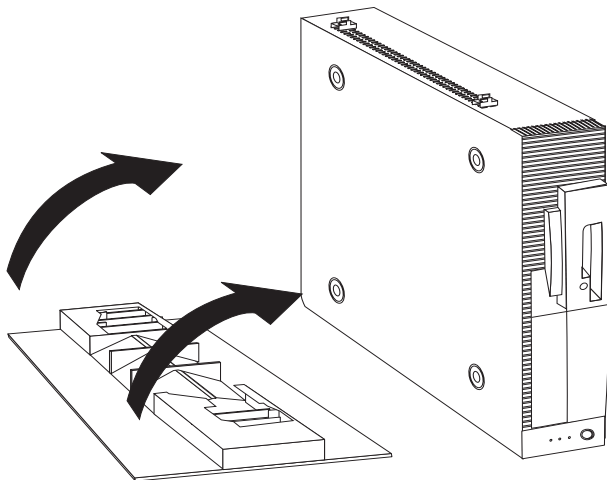


4. Push each set of installation clips together until the clips interlock. If you do not completely interlock the installation clips, the floor-stand tabs will not fit over the installation clips.

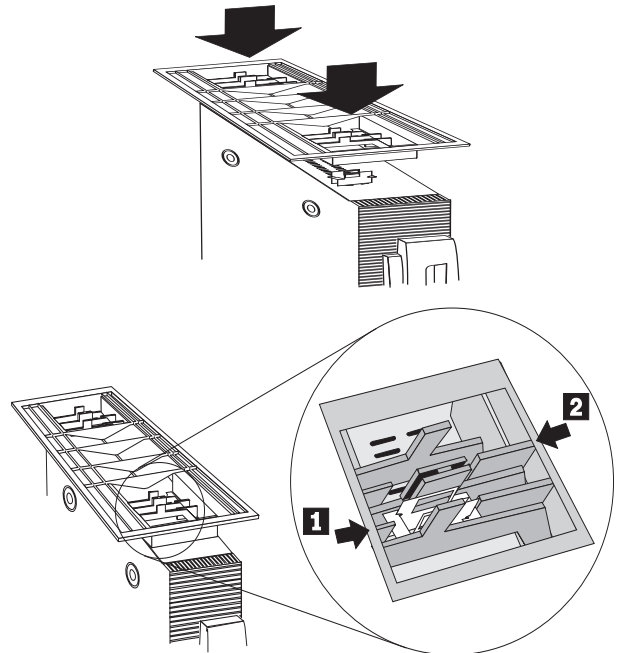


Attention: To allow for proper computer ventilation, the front of the floor stand must be aligned with the front of the computer.

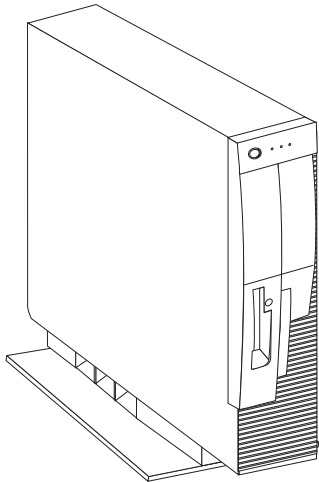
5. Align the front of the floor stand with the front of the computer and turn the floor stand upside down. The front of the floor stand is labeled on the bottom of the stand.



6. Center the clips with either position **1** or **2** on the underside of floor-stand as you push the floor stand onto the clips until they snap into place. Each set of installation clips fits inside a pair rails at each end of the floor-stand as shown in the illustration.



7. Position the computer for operation.

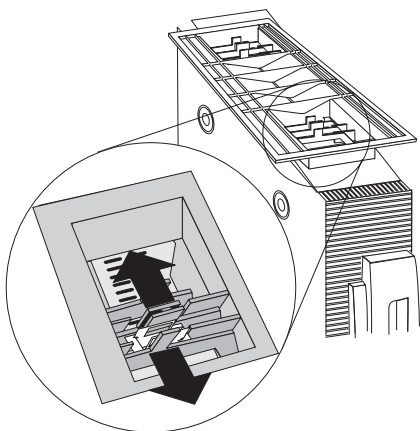


Removing the Floor Stand

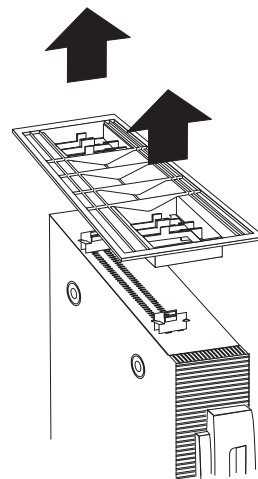
Remove the floor stand from the computer if you: remove the computer cover to install an option or move the computer to another location.

To remove the floor stand:

1. Turn off all attached devices. Turn off the computer. Unplug the power cords for the computer and all attached devices.
2. Turn the computer upside down.
3. Spread the floor-stand tabs out to release the stand from the installation clips.



4. Pull the floor stand straight up; then remove the installation clips.



Warranty Information

For warranty terms and conditions, see the enclosed insert, or contact your IBM reseller or IBM marketing representative.

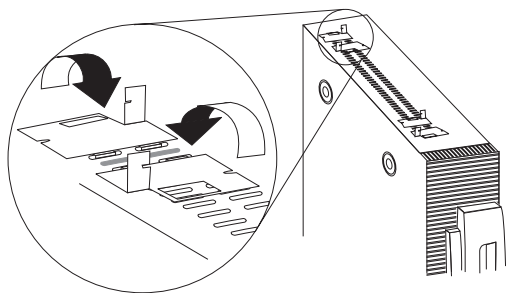
Personal Computer Floor Stand(Span)

The Personal Computer Floor Stand option includes:

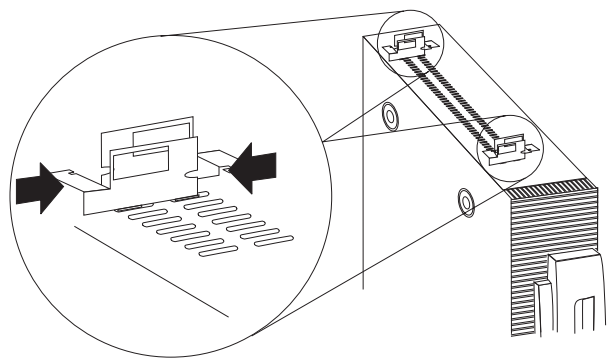
- Floor stand
- Four installation clips

Installing the Floor Stand

1. Turn off all attached devices. Turn off the computer. Unplug the power cords for the computer and all attached devices.
2. Turn the computer on its side with the computer vents facing up.
3. Place a pair of installation clips at each end of the row of vents. One clip attaches to the last vent; the other clip attaches to the third vent from the end as shown in the illustration. Rotate each set of clips into the vertical position.

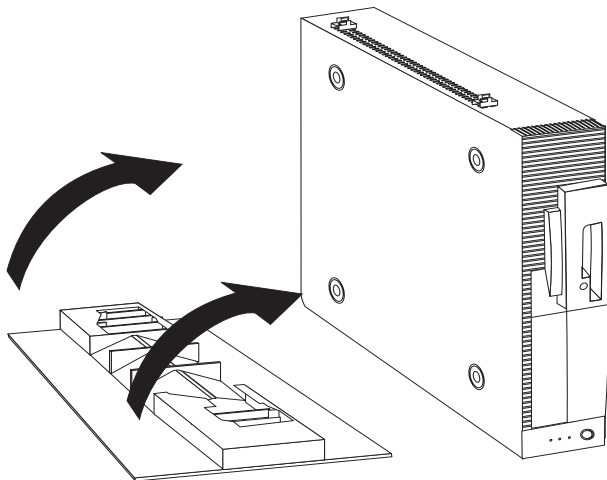


4. Push each set of installation clips together until the clips interlock. If you do not completely interlock the installation clips, the floor-stand tabs will not fit over the installation clips.

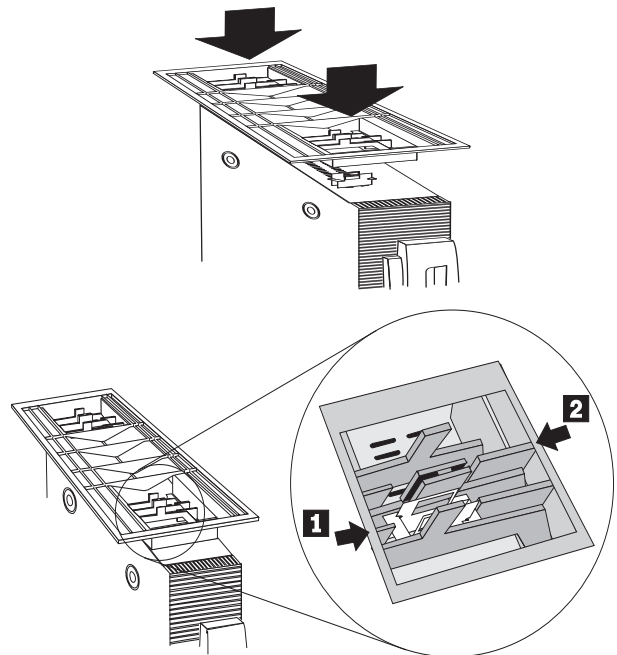


Attention: To allow for proper computer ventilation, the front of the floor stand must be aligned with the front of the computer.

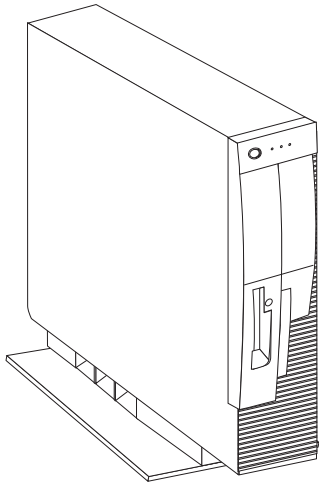
5. Align the front of the floor stand with the front of the computer and turn the floor stand upside down. The front of the floor stand is labeled on the bottom of the stand.



6. Center the clips with either position **1** or **2** on the underside of floor-stand as you push the floor stand onto the clips until they snap into place. Each set of installation clips fits inside a pair rails at each end of the floor-stand as shown in the illustration.



7. Position the computer for operation.

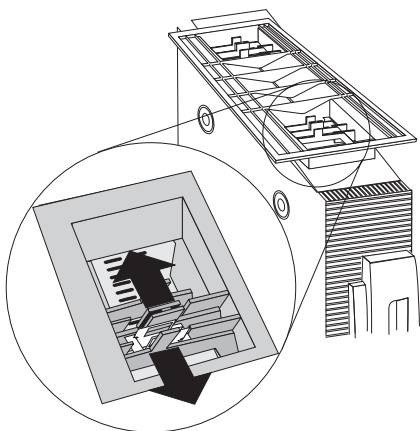


Removing the Floor Stand

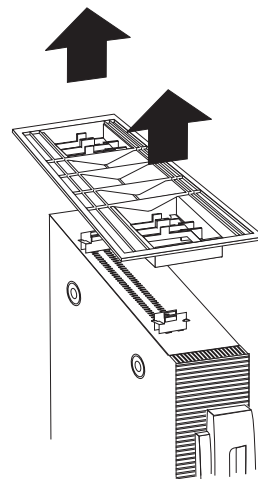
Remove the floor stand from the computer if you: remove the computer cover to install an option or move the computer to another location.

To remove the floor stand:

1. Turn off all attached devices. Turn off the computer. Unplug the power cords for the computer and all attached devices.
2. Turn the computer upside down.
3. Spread the floor-stand tabs out to release the stand from the installation clips.



4. Pull the floor stand straight up; then remove the installation clips.



Warranty Information

For warranty terms and conditions, see the enclosed insert, or contact your IBM reseller or IBM marketing representative.

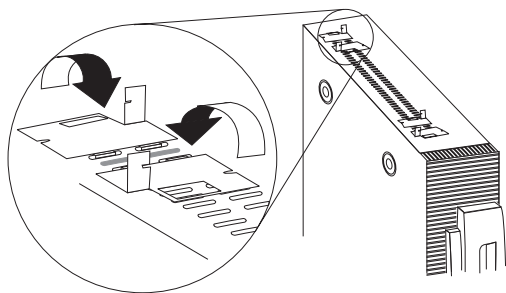
Personal Computer Floor Stand(Japn)

The Personal Computer Floor Stand option includes:

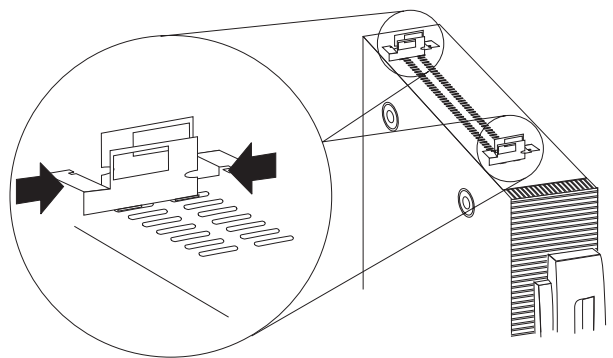
- Floor stand
- Four installation clips

Installing the Floor Stand

1. Turn off all attached devices. Turn off the computer. Unplug the power cords for the computer and all attached devices.
2. Turn the computer on its side with the computer vents facing up.
3. Place a pair of installation clips at each end of the row of vents. One clip attaches to the last vent; the other clip attaches to the third vent from the end as shown in the illustration. Rotate each set of clips into the vertical position.

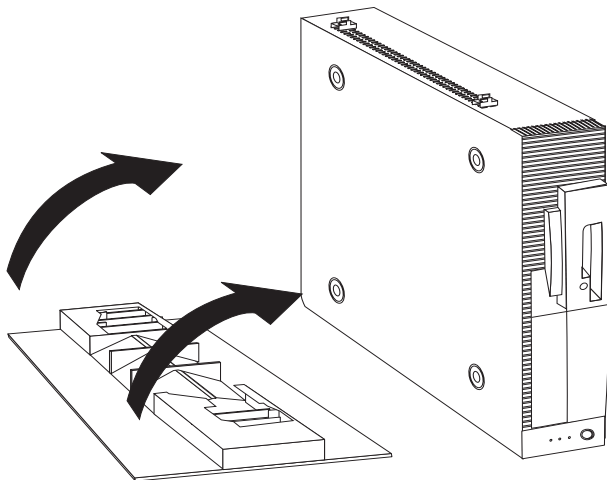


4. Push each set of installation clips together until the clips interlock. If you do not completely interlock the installation clips, the floor-stand tabs will not fit over the installation clips.

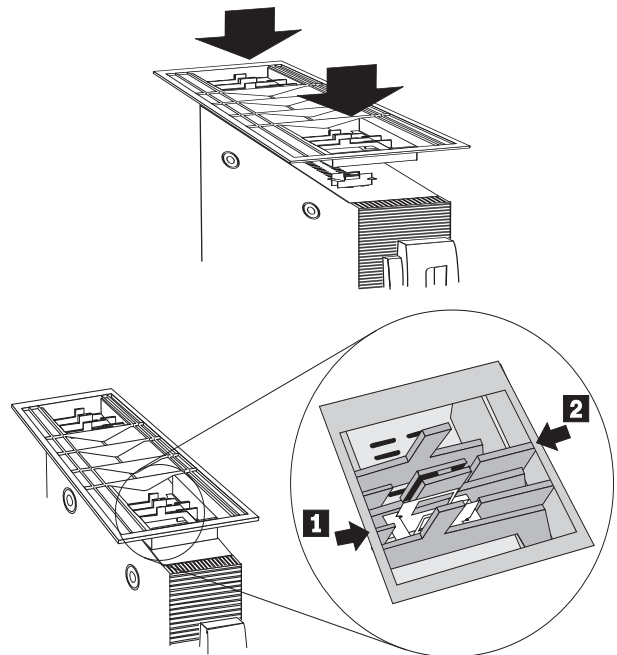


Attention: To allow for proper computer ventilation, the front of the floor stand must be aligned with the front of the computer.

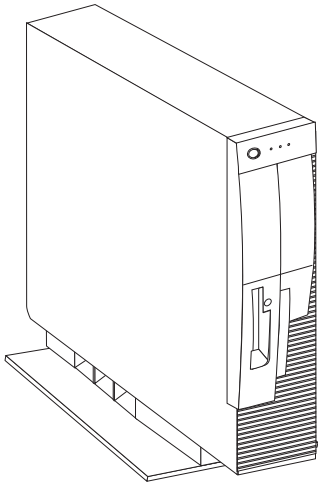
5. Align the front of the floor stand with the front of the computer and turn the floor stand upside down. The front of the floor stand is labeled on the bottom of the stand.



6. Center the clips with either position **1** or **2** on the underside of floor-stand as you push the floor stand onto the clips until they snap into place. Each set of installation clips fits inside a pair rails at each end of the floor-stand as shown in the illustration.



7. Position the computer for operation.

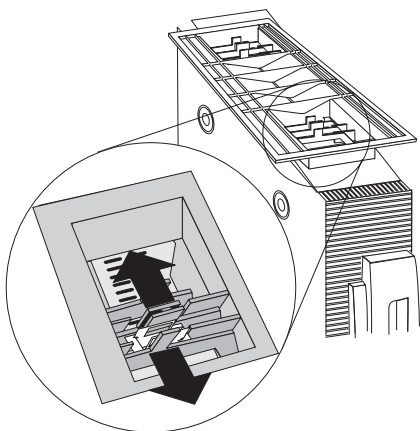


Removing the Floor Stand

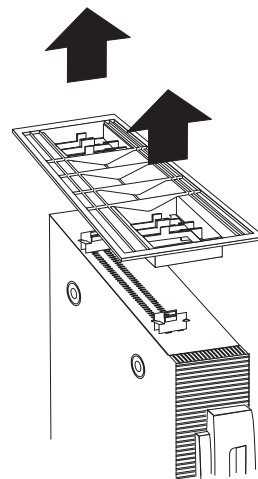
Remove the floor stand from the computer if you: remove the computer cover to install an option or move the computer to another location.

To remove the floor stand:

1. Turn off all attached devices. Turn off the computer. Unplug the power cords for the computer and all attached devices.
2. Turn the computer upside down.
3. Spread the floor-stand tabs out to release the stand from the installation clips.



4. Pull the floor stand straight up; then remove the installation clips.



Warranty Information

For warranty terms and conditions, see the enclosed insert, or contact your IBM reseller or IBM marketing representative.

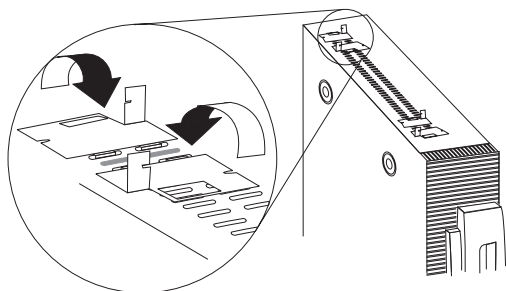
Personal Computer Floor Stand(Ital)

The Personal Computer Floor Stand option includes:

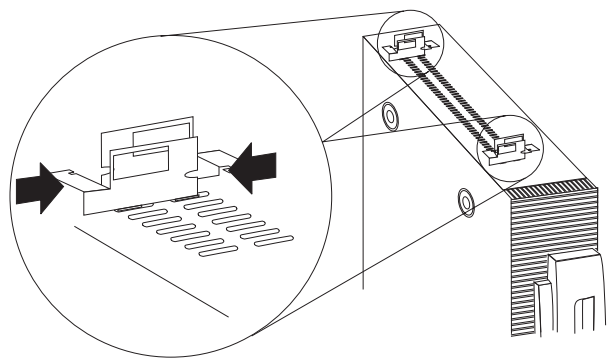
- Floor stand
- Four installation clips

Installing the Floor Stand

1. Turn off all attached devices. Turn off the computer. Unplug the power cords for the computer and all attached devices.
2. Turn the computer on its side with the computer vents facing up.
3. Place a pair of installation clips at each end of the row of vents. One clip attaches to the last vent; the other clip attaches to the third vent from the end as shown in the illustration. Rotate each set of clips into the vertical position.

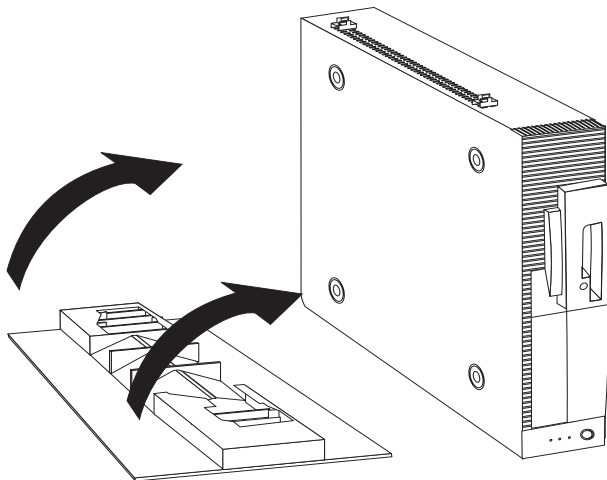


4. Push each set of installation clips together until the clips interlock. If you do not completely interlock the installation clips, the floor-stand tabs will not fit over the installation clips.

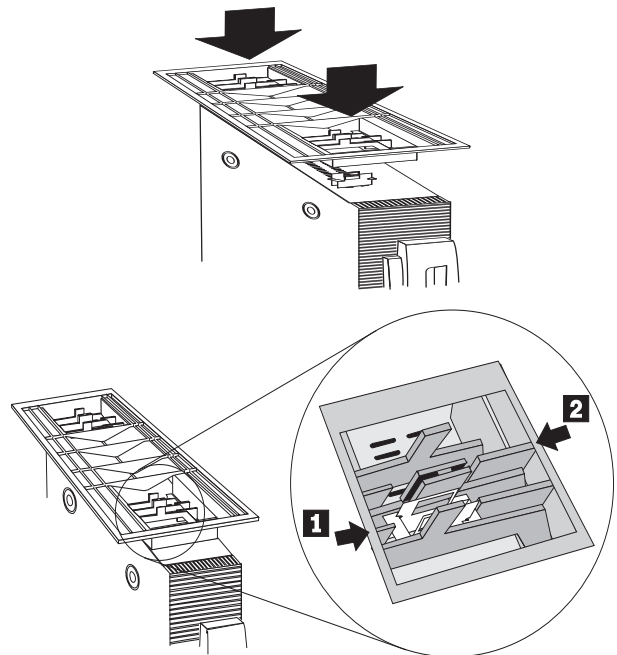


Attention: To allow for proper computer ventilation, the front of the floor stand must be aligned with the front of the computer.

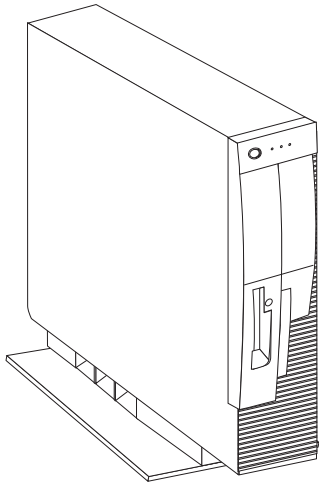
5. Align the front of the floor stand with the front of the computer and turn the floor stand upside down. The front of the floor stand is labeled on the bottom of the stand.



6. Center the clips with either position **1** or **2** on the underside of floor-stand as you push the floor stand onto the clips until they snap into place. Each set of installation clips fits inside a pair rails at each end of the floor-stand as shown in the illustration.



7. Position the computer for operation.

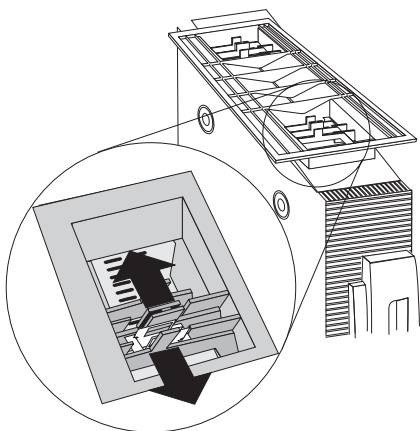


Removing the Floor Stand

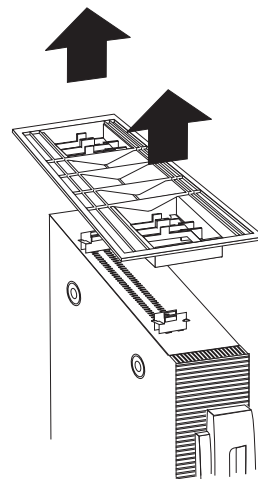
Remove the floor stand from the computer if you: remove the computer cover to install an option or move the computer to another location.

To remove the floor stand:

1. Turn off all attached devices. Turn off the computer. Unplug the power cords for the computer and all attached devices.
2. Turn the computer upside down.
3. Spread the floor-stand tabs out to release the stand from the installation clips.



4. Pull the floor stand straight up; then remove the installation clips.



Warranty Information

For warranty terms and conditions, see the enclosed insert, or contact your IBM reseller or IBM marketing representative.

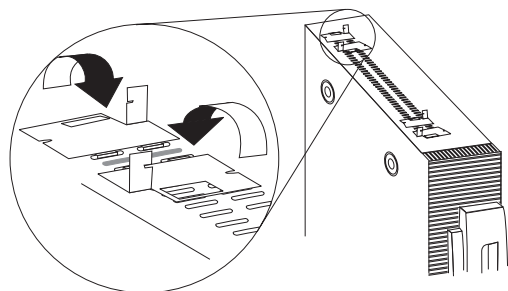
Personal Computer Floor Stand(B.P)

The Personal Computer Floor Stand option includes:

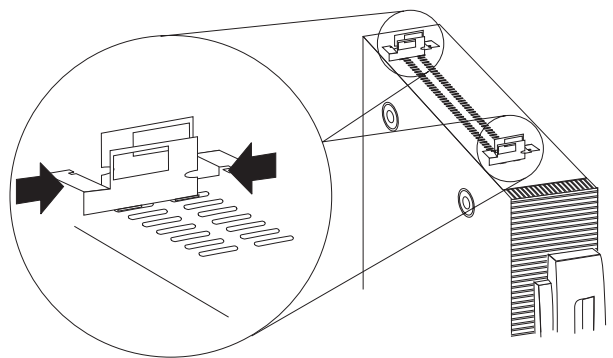
- Floor stand
- Four installation clips

Installing the Floor Stand

1. Turn off all attached devices. Turn off the computer. Unplug the power cords for the computer and all attached devices.
2. Turn the computer on its side with the computer vents facing up.
3. Place a pair of installation clips at each end of the row of vents. One clip attaches to the last vent; the other clip attaches to the third vent from the end as shown in the illustration. Rotate each set of clips into the vertical position.

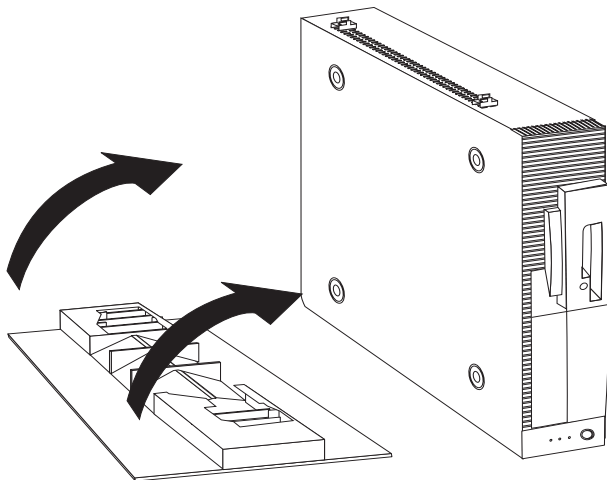


4. Push each set of installation clips together until the clips interlock. If you do not completely interlock the installation clips, the floor-stand tabs will not fit over the installation clips.

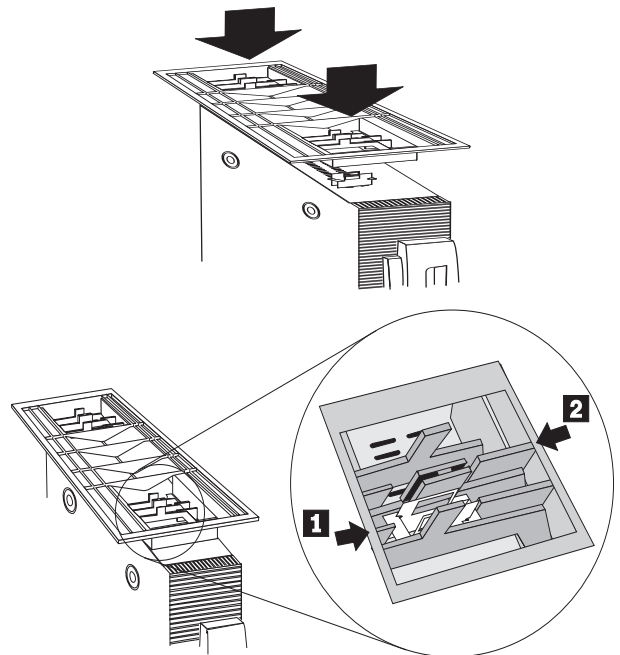


Attention: To allow for proper computer ventilation, the front of the floor stand must be aligned with the front of the computer.

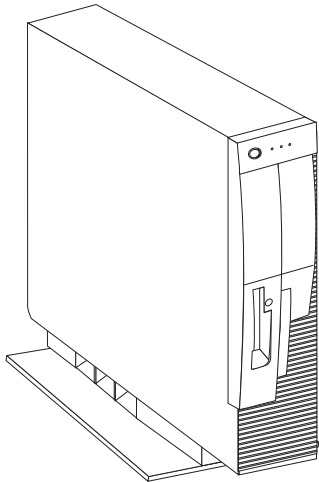
5. Align the front of the floor stand with the front of the computer and turn the floor stand upside down. The front of the floor stand is labeled on the bottom of the stand.



6. Center the clips with either position **1** or **2** on the underside of floor-stand as you push the floor stand onto the clips until they snap into place. Each set of installation clips fits inside a pair rails at each end of the floor-stand as shown in the illustration.



7. Position the computer for operation.

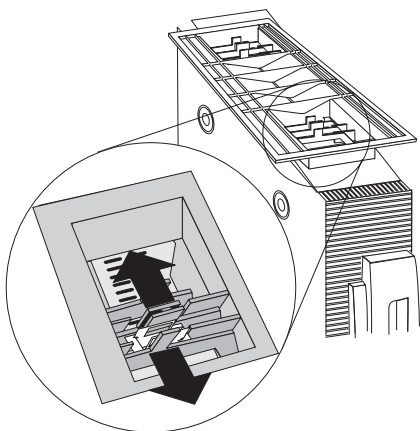


Removing the Floor Stand

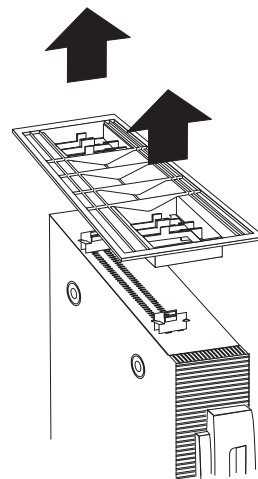
Remove the floor stand from the computer if you: remove the computer cover to install an option or move the computer to another location.

To remove the floor stand:

1. Turn off all attached devices. Turn off the computer. Unplug the power cords for the computer and all attached devices.
2. Turn the computer upside down.
3. Spread the floor-stand tabs out to release the stand from the installation clips.



4. Pull the floor stand straight up; then remove the installation clips.



Warranty Information

For warranty terms and conditions, see the enclosed insert, or contact your IBM reseller or IBM marketing representative.

Warranty and Notices

Product Warranty

The following warranty information applies to products purchased in the United States, Canada, and Puerto Rico. For warranty terms and conditions for products purchased in other countries, see the enclosed Warranty insert, or contact your IBM reseller or IBM marketing representative.

International Business Machines Corporation

Armonk, New York, 10504

Statement of Limited Warranty

The warranties provided by IBM in this Statement of Limited Warranty apply only to Machines you originally purchase for your use, and not for resale, from IBM or your reseller. The term "Machine" means an IBM machine, its features, conversions, upgrades, elements, or accessories, or any combination of them. Unless IBM specifies otherwise, the following warranties apply only in the country where you acquire the Machine. If you have any questions, contact IBM or your reseller.

Machine: Personal Computer Floor Stand

Warranty Period*: Three Years

**Contact your place of purchase for warranty service information.*

Production Status

Each Machine is manufactured from new parts, or new and used parts. In some cases, the Machine may not be new and may have been previously

installed. Regardless of the Machine's production status, IBM's warranty terms apply.

The IBM Warranty for Machines

IBM warrants that each Machine 1) is free from defects in materials and workmanship and 2) conforms to IBM's Official Published Specifications. The warranty period for a Machine is a specified, fixed period commencing on its Date of Installation. The date on your receipt is the Date of Installation, unless IBM or your reseller informs you otherwise.

During the warranty period IBM or your reseller, if authorized by IBM, will provide warranty service under the type of service designated for the Machine and will manage and install engineering changes that apply to the Machine.

For IBM or your reseller to provide warranty service for a feature, conversion, or upgrade, IBM or your reseller may require that the Machine on which it is installed be 1) for certain Machines, the designated, serial-numbered Machine and 2) at an engineering-change level compatible with the feature, conversion, or upgrade. Many of these transactions involve the removal of parts and their return to IBM. You represent that all removed parts are genuine and unaltered. A part that replaces a removed part will assume the warranty service status of the replaced part.

If a Machine does not function as warranted during the warranty period, IBM or your reseller will repair it or replace it with one that is at least functionally equivalent, without charge. The replacement may not be new, but will be in good working order. If IBM or your reseller is unable to repair or replace the Machine, you may return it to your place of purchase and your money will be refunded.

If you transfer a Machine to another user, warranty service is available to that user for the remainder of the warranty period. You should give your proof of purchase and this Statement to that user. However, for Machines which have a life-time warranty, this warranty is not transferable.

Warranty Service

To obtain warranty service for the Machine, you should contact your reseller or call IBM. In the United States, call IBM at **1-800-772-2227**. In Canada, call IBM at **1-800-565-3344**. You may be required to present proof of purchase.

IBM or your reseller will provide certain types of repair and exchange service, either at your location or at IBM's or your reseller's service center, to restore a Machine to good working order.

When a type of service involves the exchange of a Machine or part, the item IBM or your reseller replaces becomes its property and the replacement becomes yours. You represent that all removed items are genuine and unaltered. The replacement may not be new, but will be in good working order and at least functionally equivalent to the item replaced. The replacement assumes the warranty service status of the replaced item. Before IBM or your reseller exchanges a Machine or part, you agree to remove all features, parts, options, alterations, and attachments not under warranty service. You also agree to ensure that the Machine is free of any legal obligations or restrictions that prevent its exchange.

You agree to:

1. obtain authorization from the owner to have IBM or your reseller service a Machine that you do not own; and
2. where applicable, before service is provided —
 - a. follow the problem determination, problem analysis, and service request procedures that IBM or your reseller provide,
 - b. secure all programs, data, and funds contained in a Machine, and
 - c. inform IBM or your reseller of changes in a Machine's location.

IBM is responsible for loss of, or damage to, your Machine while it is 1) in IBM's possession or 2) in transit in those cases where IBM is responsible for the transportation charges.

Extent of Warranty

30 Personal Computer Floor Stand

IBM does not warrant uninterrupted or error-free operation of a Machine.

The warranties may be voided by misuse, accident, modification, unsuitable physical or operating environment, improper maintenance by you, removal or alteration of Machine or parts identification labels, or failure caused by a product for which IBM is not responsible.

THESE WARRANTIES REPLACE ALL OTHER WARRANTIES OR CONDITIONS, EXPRESS OR IMPLIED, INCLUDING, BUT NOT LIMITED TO, THE IMPLIED WARRANTIES OR CONDITIONS OF MERCHANTABILITY AND FITNESS FOR A PARTICULAR PURPOSE. THESE WARRANTIES GIVE YOU SPECIFIC LEGAL RIGHTS AND YOU MAY ALSO HAVE OTHER RIGHTS WHICH VARY FROM JURISDICTION TO JURISDICTION. SOME JURISDICTIONS DO NOT ALLOW THE EXCLUSION OR LIMITATION OF EXPRESS OR IMPLIED WARRANTIES, SO THE ABOVE EXCLUSION OR LIMITATION MAY NOT APPLY TO YOU. IN THAT EVENT SUCH WARRANTIES ARE LIMITED IN DURATION TO THE WARRANTY PERIOD. NO WARRANTIES APPLY AFTER THAT PERIOD.

Limitation of Liability

Circumstances may arise where, because of a default on IBM's part or other liability you are entitled to recover damages from IBM. In each such instance, regardless of the basis on which you are entitled to claim damages from IBM (including fundamental breach, negligence, misrepresentation, or other contract or tort claim), IBM is liable only for:

1. damages for bodily injury (including death) and damage to real property and tangible personal property; and
2. the amount of any other actual direct damages or loss, up to the greater of U.S. \$100,000 or the charges (if recurring, 12 months' charges apply) for the Machine that is the subject of the claim.

UNDER NO CIRCUMSTANCES IS IBM LIABLE FOR ANY OF THE FOLLOWING: 1) THIRD-PARTY CLAIMS AGAINST YOU FOR LOSSES OR DAMAGES (OTHER THAN THOSE UNDER THE FIRST ITEM LISTED ABOVE); 2) LOSS OF, OR DAMAGE TO, YOUR RECORDS OR DATA; OR 3) SPECIAL, INCIDENTAL, OR INDIRECT DAMAGES OR FOR ANY ECONOMIC CONSEQUENTIAL DAMAGES (INCLUDING LOST PROFITS OR SAVINGS), EVEN IF IBM OR YOUR RESELLER IS INFORMED OF THEIR POSSIBILITY. SOME JURISDICTIONS DO NOT ALLOW THE EXCLUSION OR LIMITATION OF INCIDENTAL OR CONSEQUENTIAL DAMAGES, SO THE ABOVE EXCLUSION OR LIMITATION MAY NOT APPLY TO YOU.

Trademarks

The following terms are trademarks of the IBM Corporation in the United States or other countries or both:

IBM



Part Number: 84H5111

Printed in U.S.A.

84H5111

